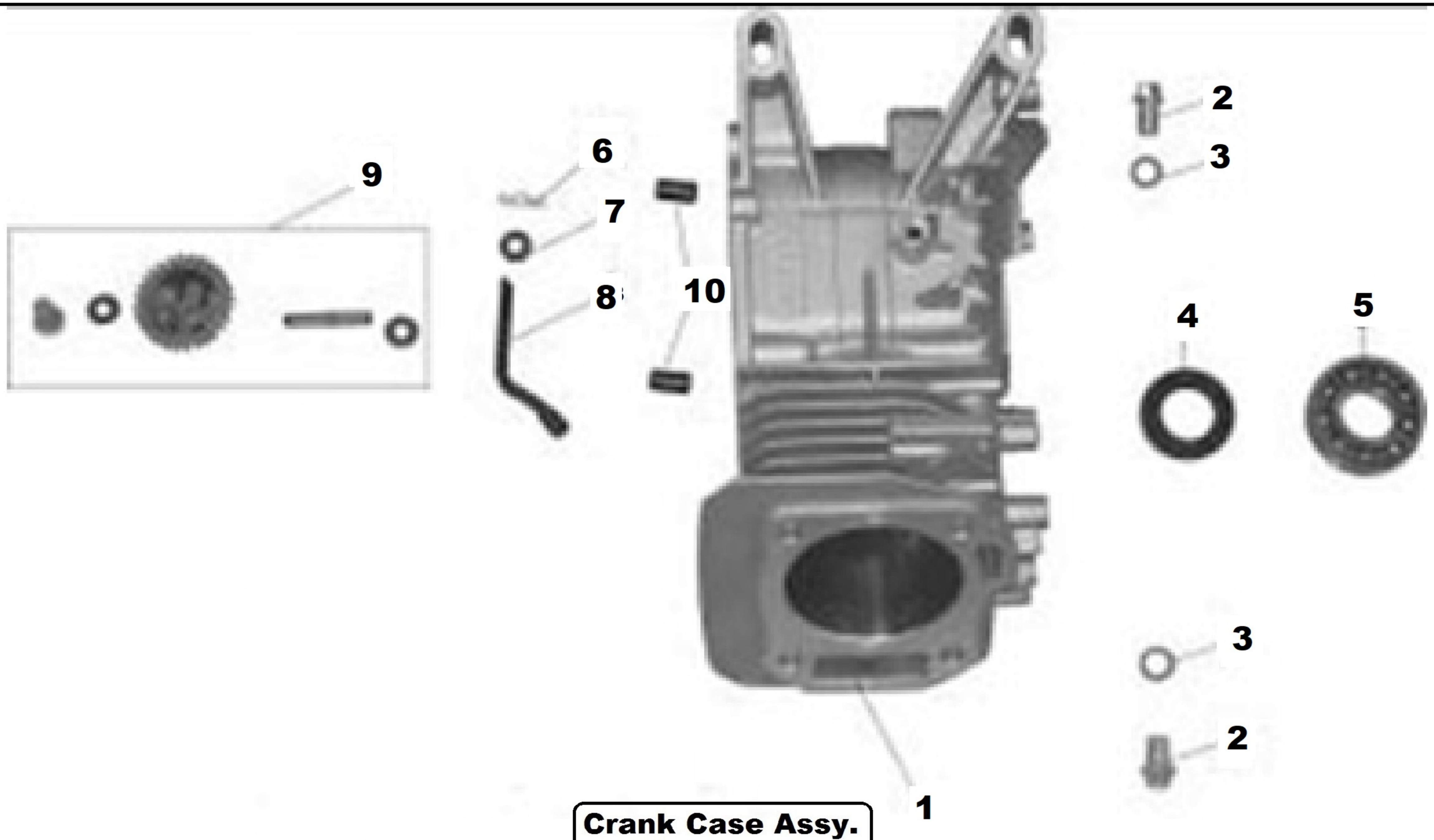
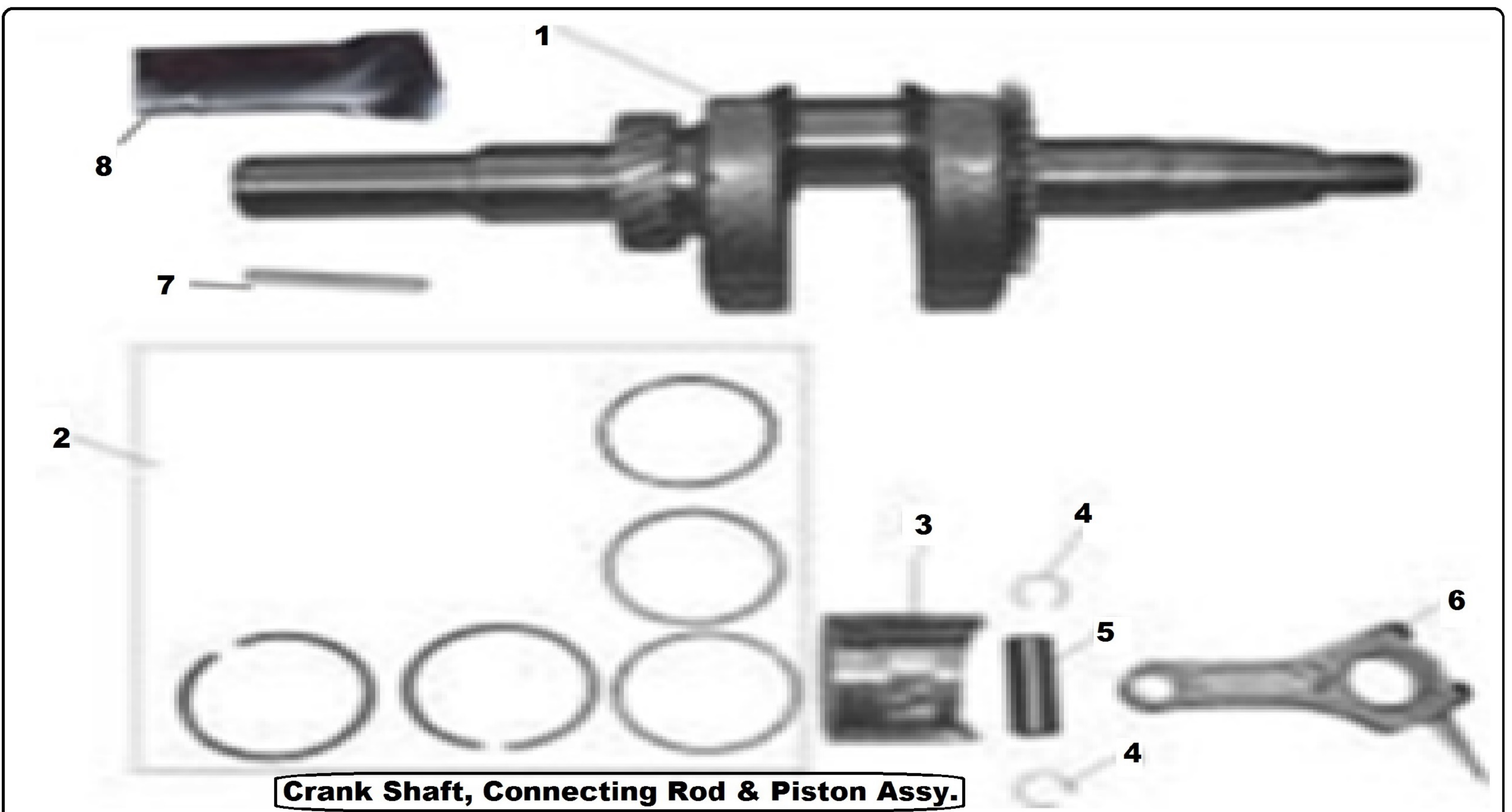
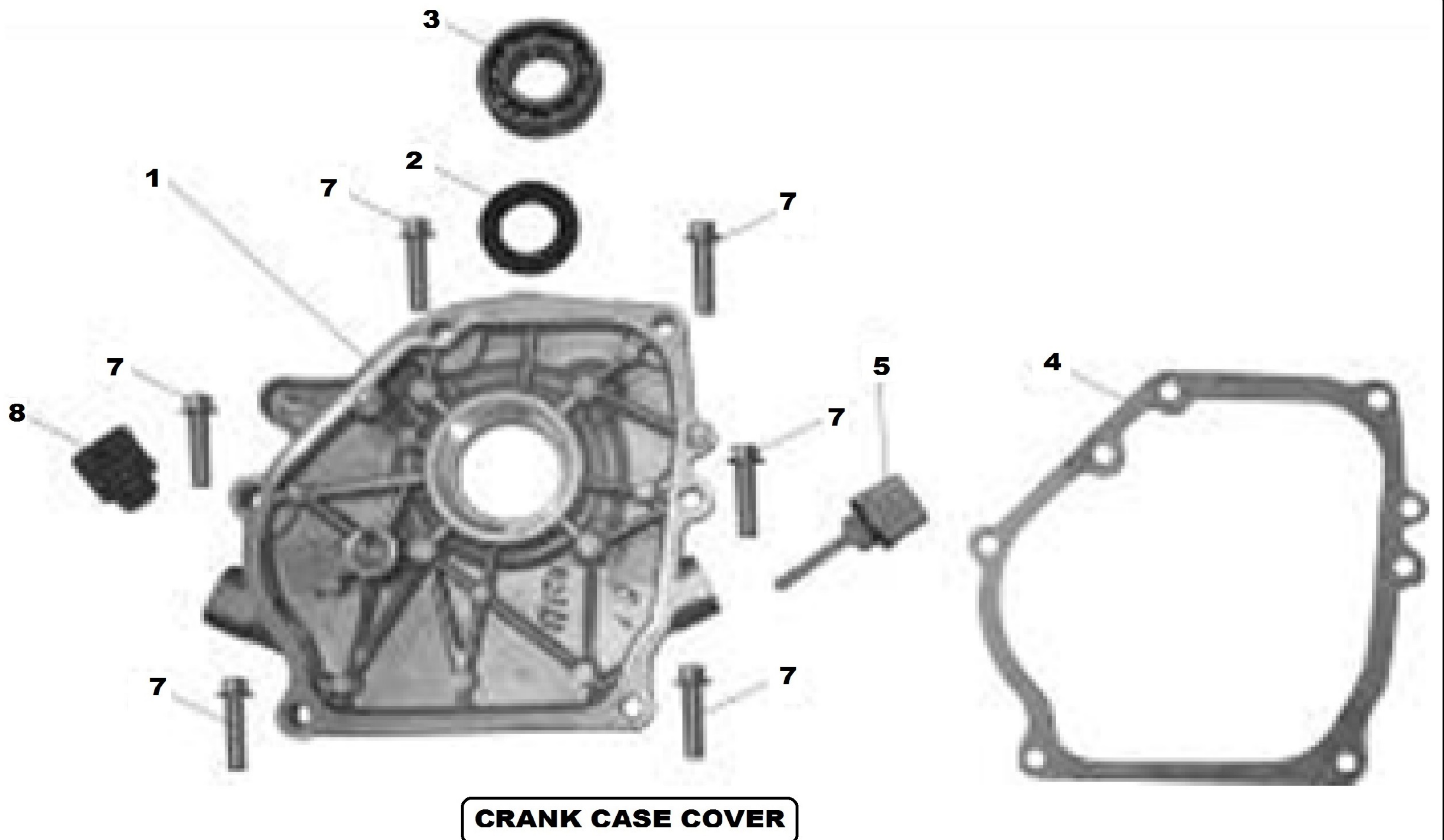
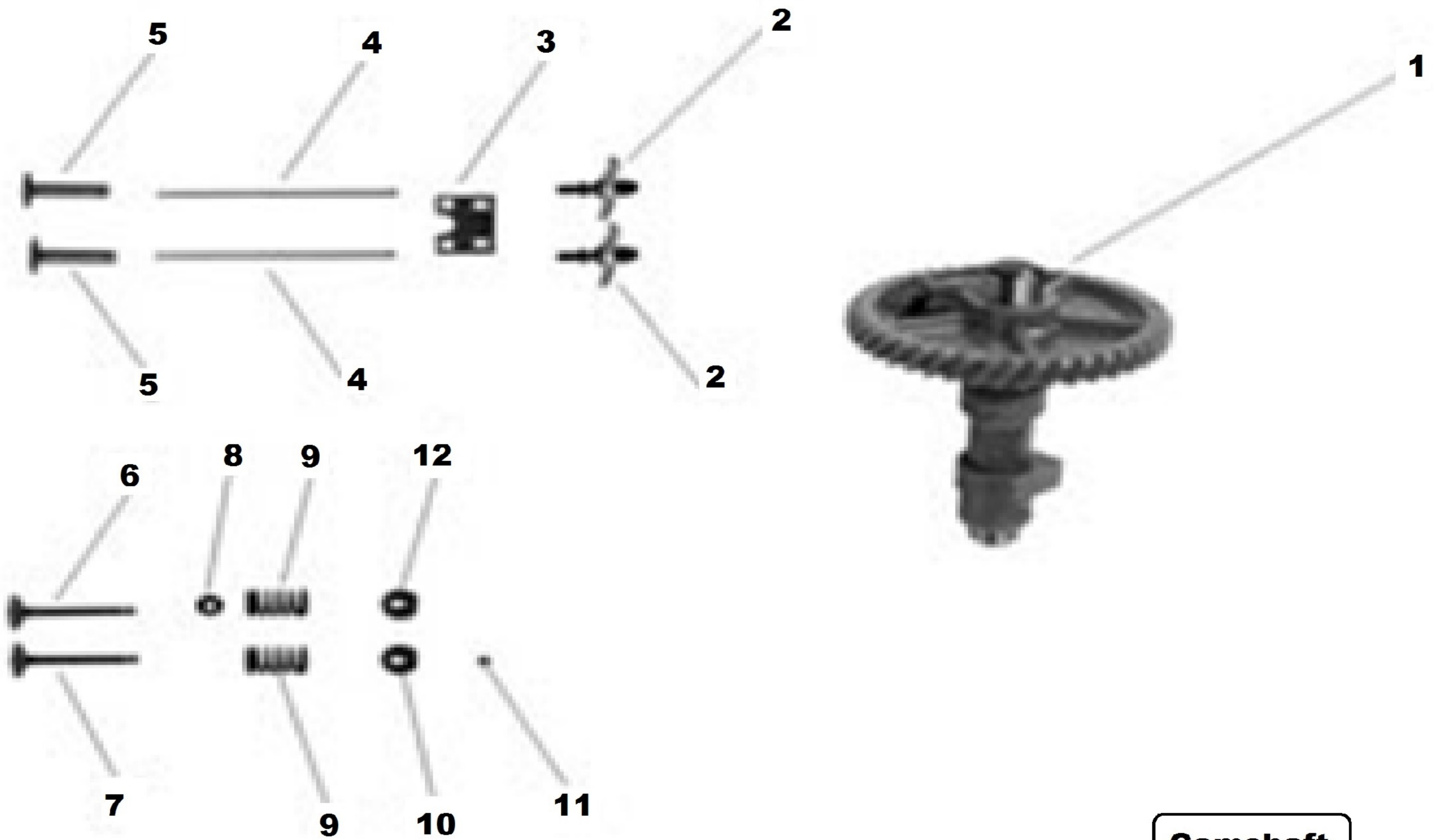


Cylinder Head Assy.

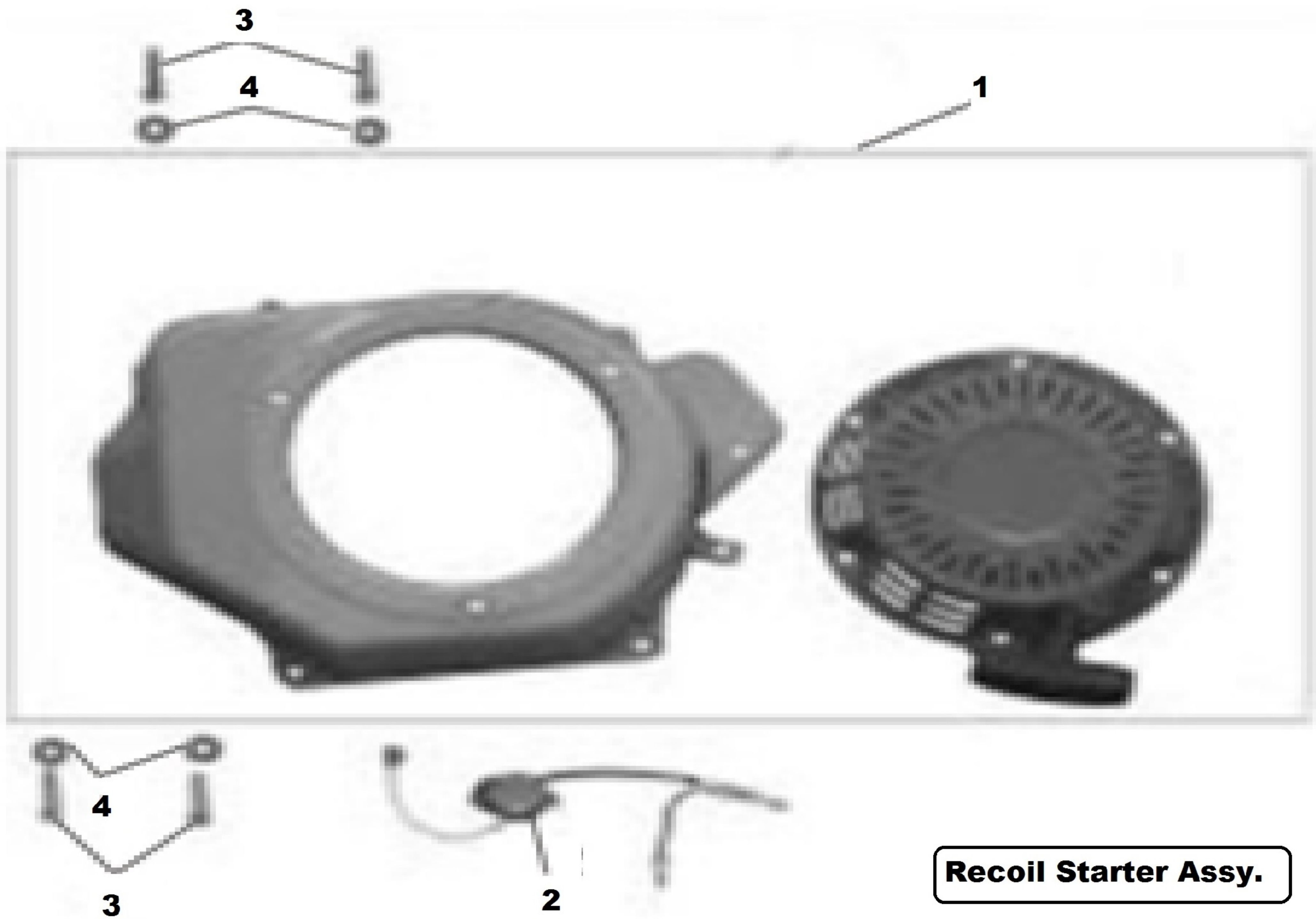


Crank Case Assy.

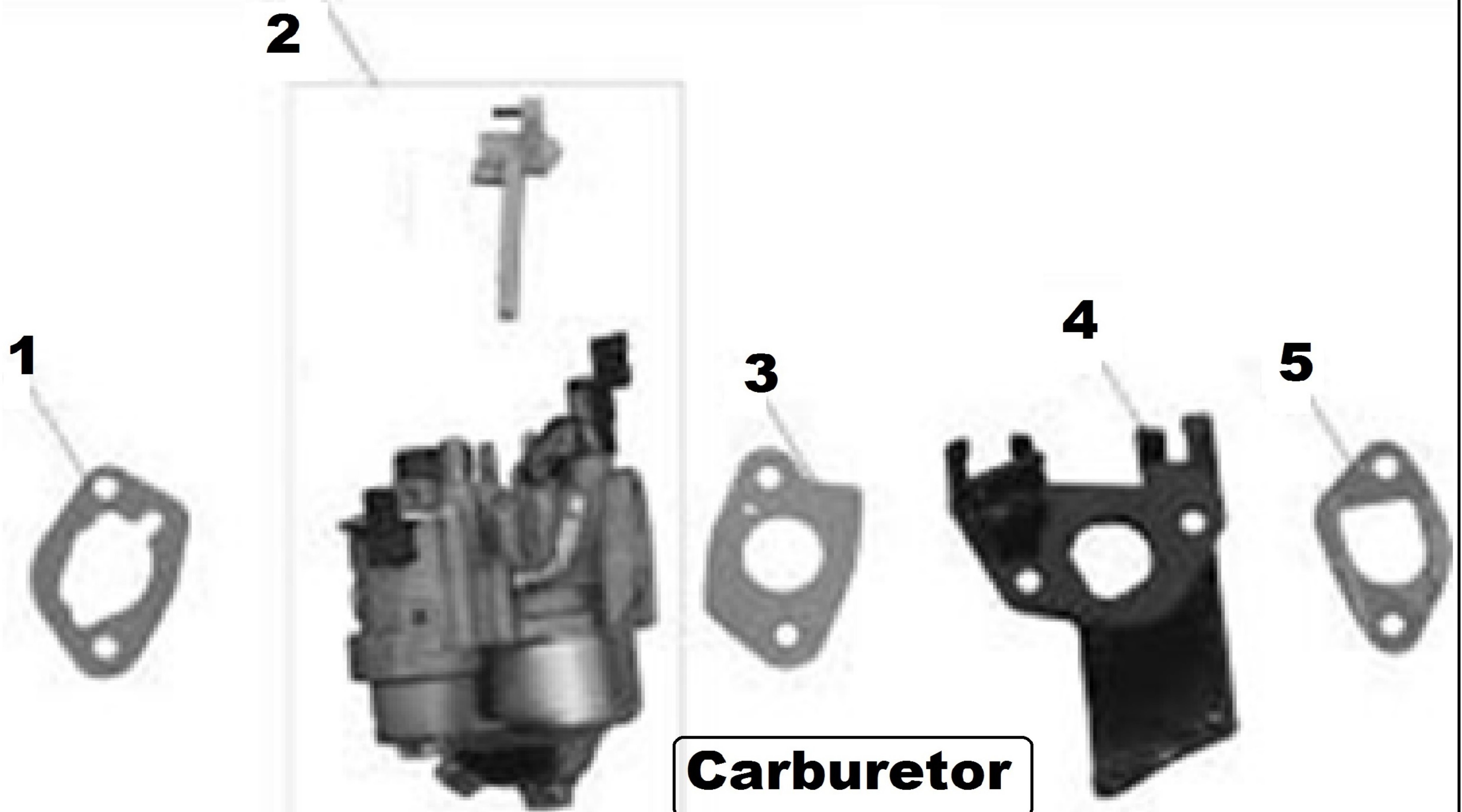
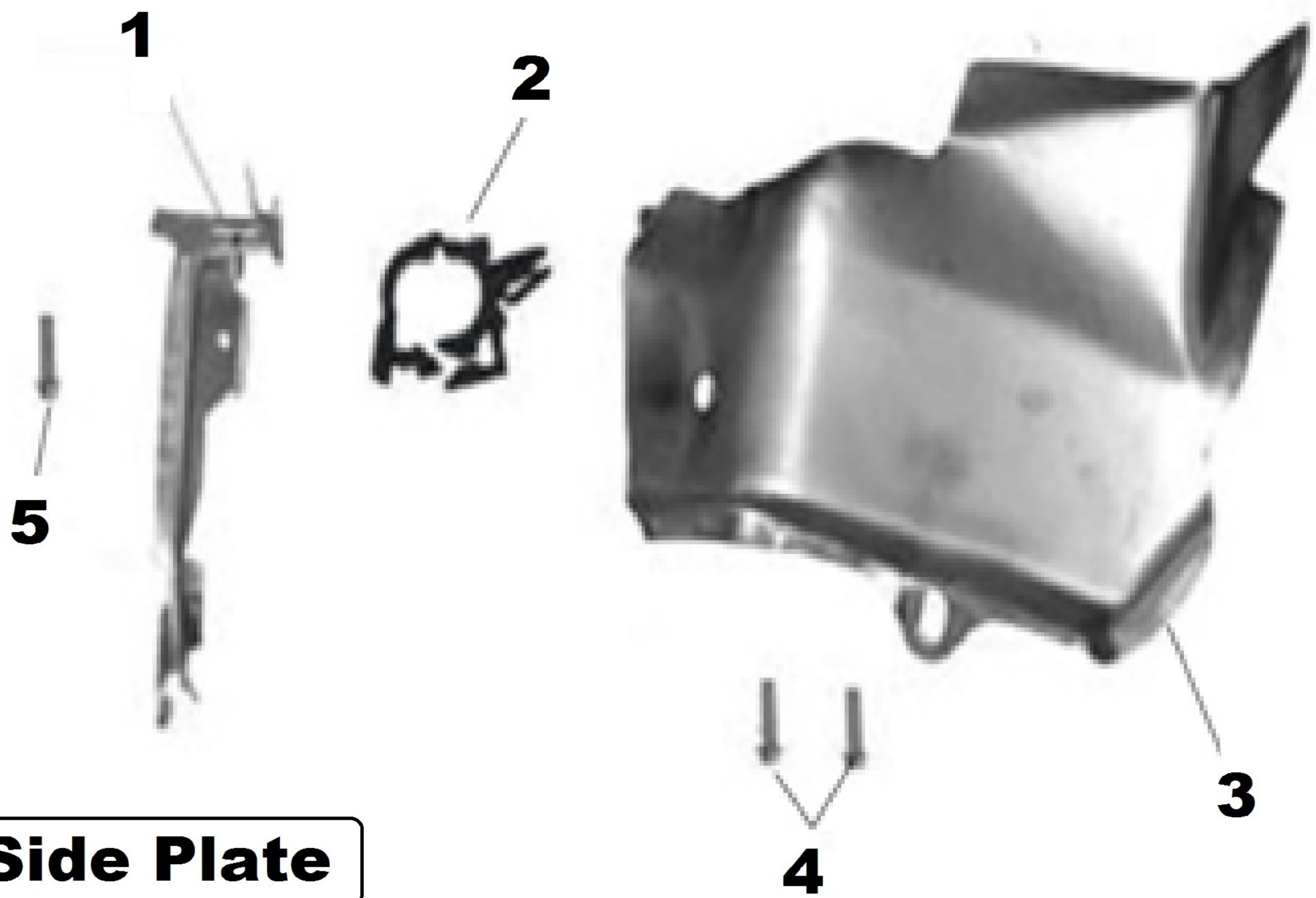


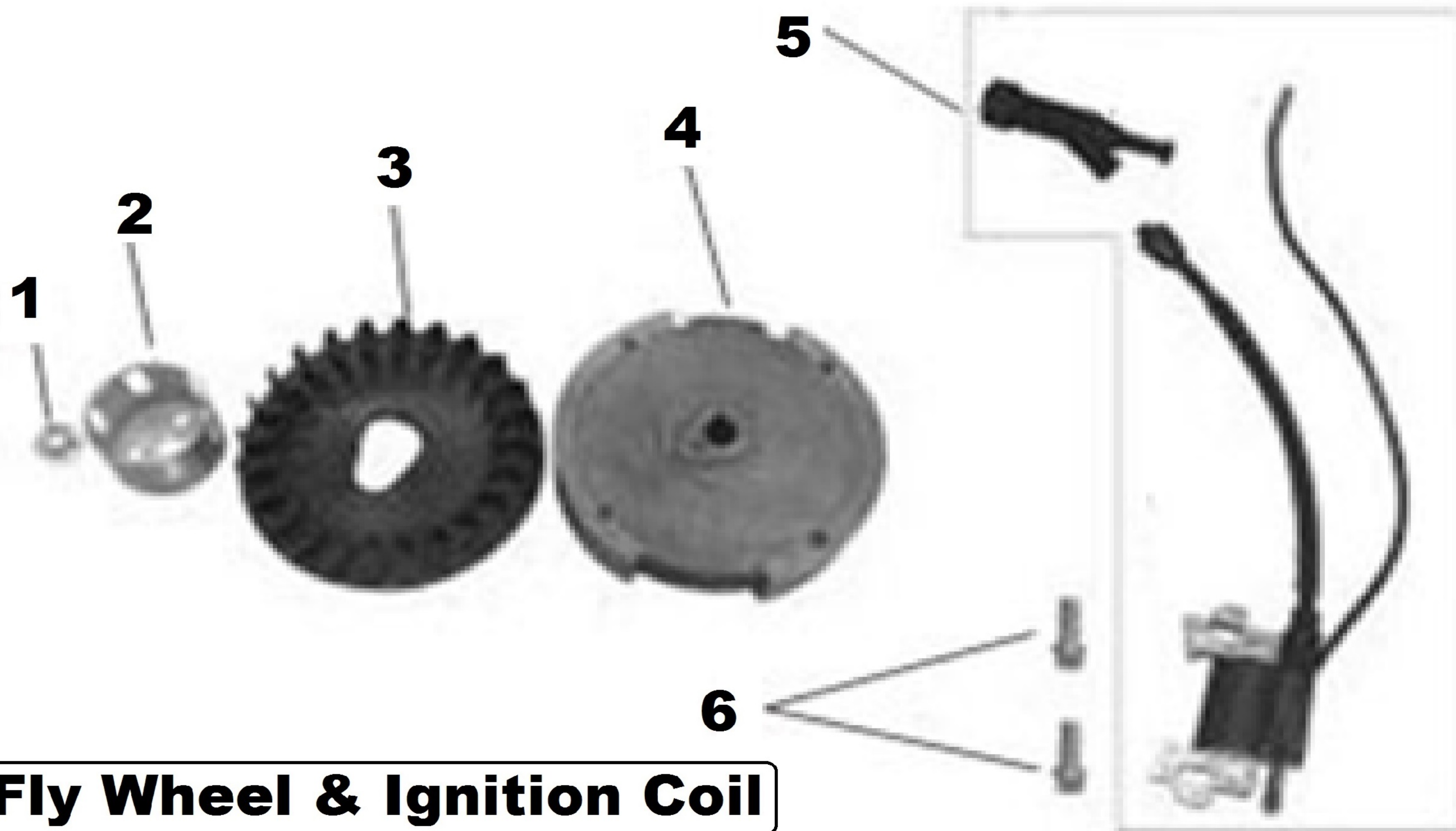


Camshaft

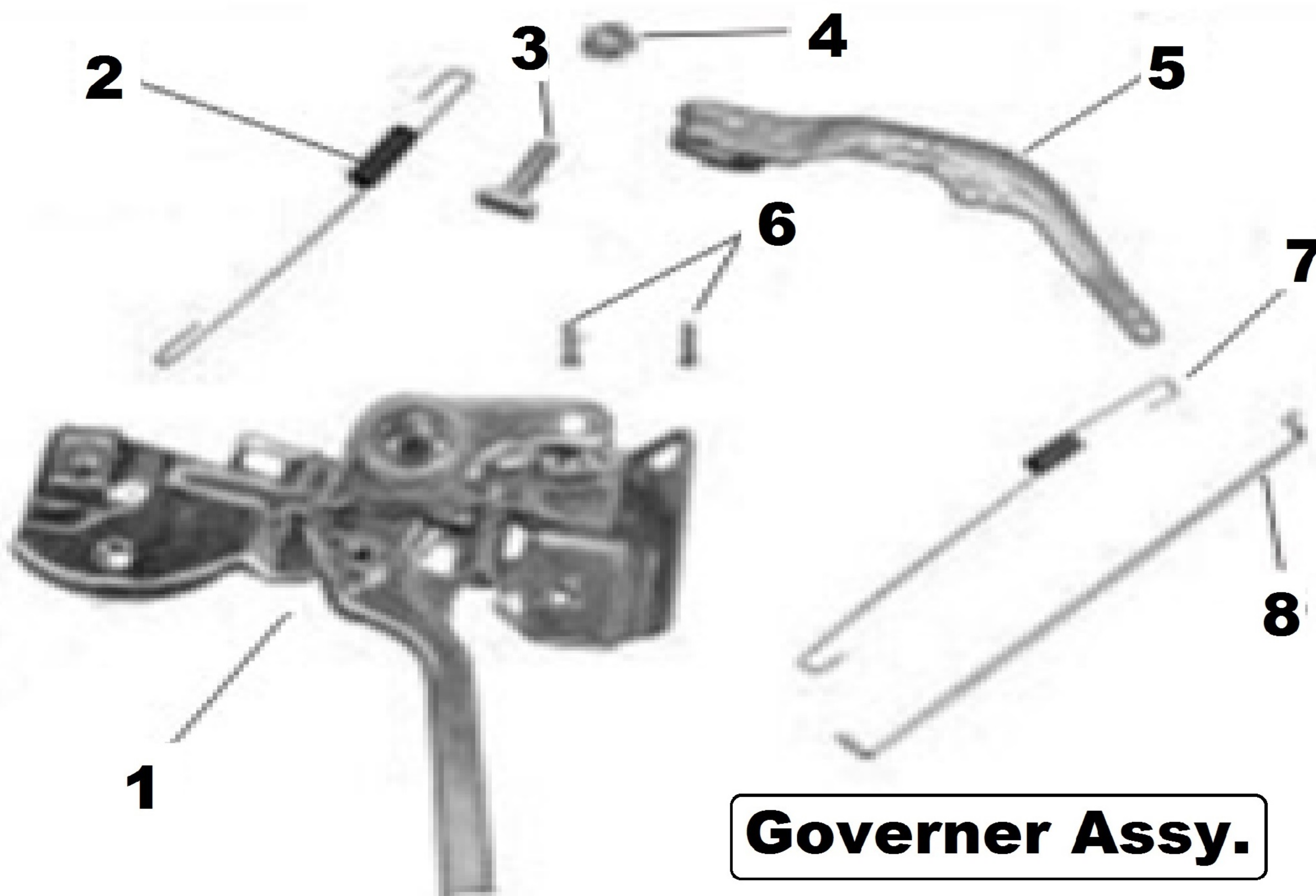


Recoil Starter Assy.





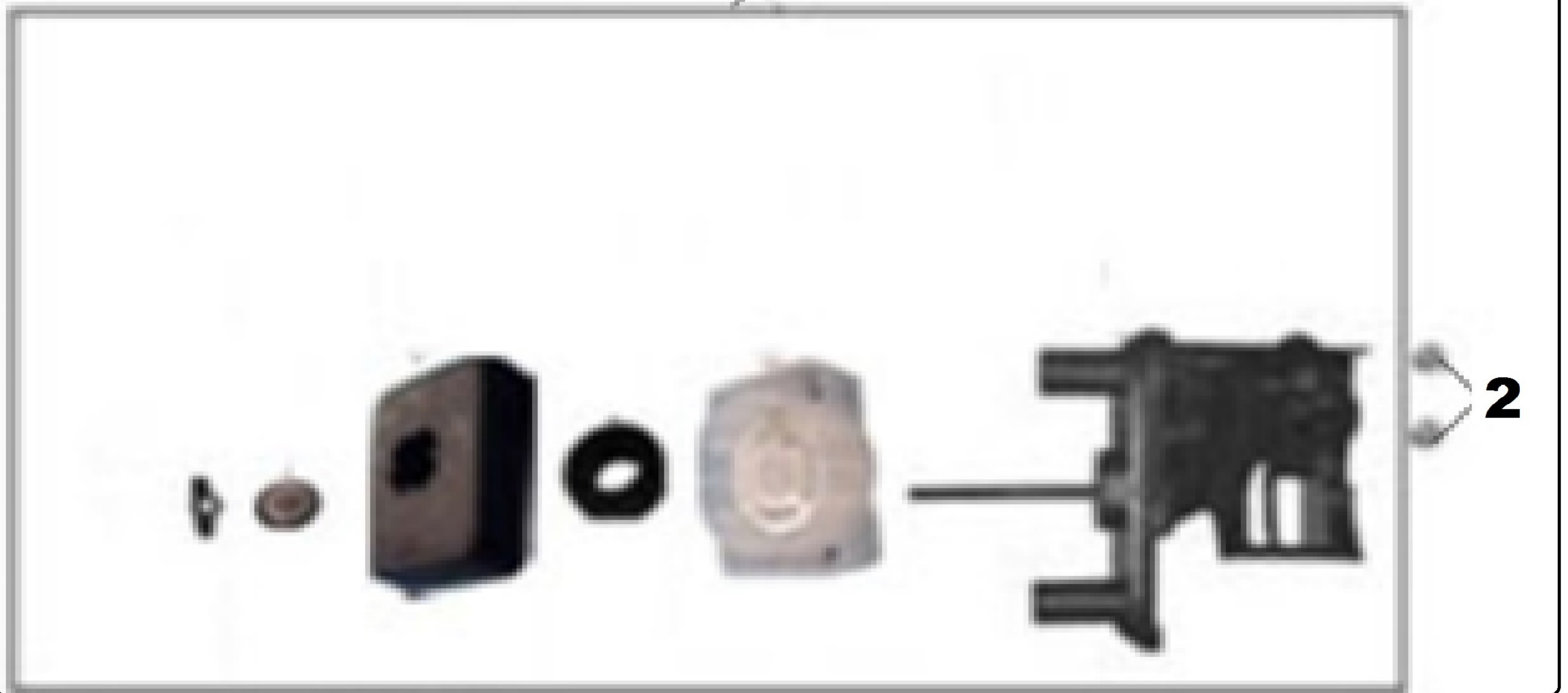
Fly Wheel & Ignition Coil



Governor Assy.



Air Filter Assy.



2

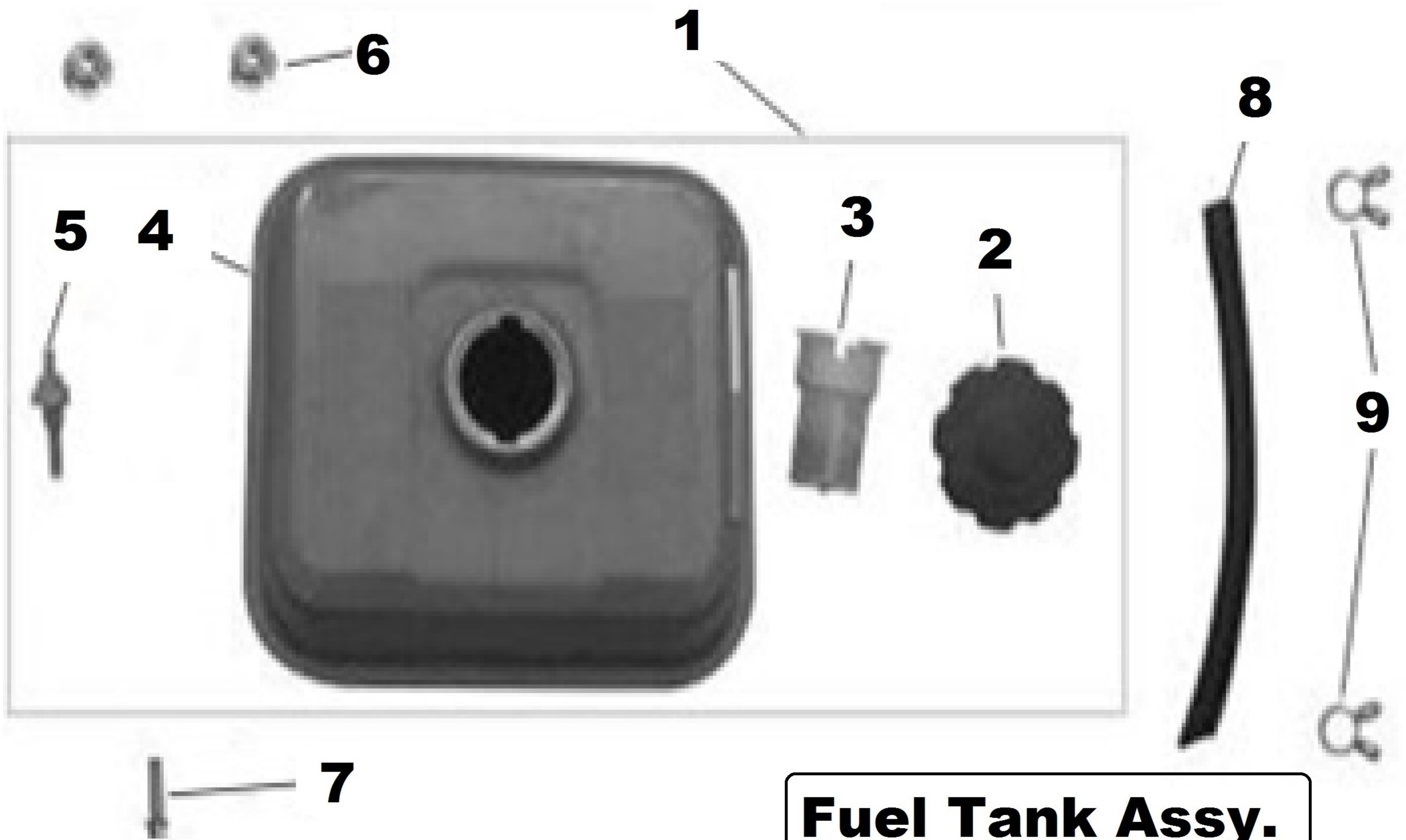
3

2

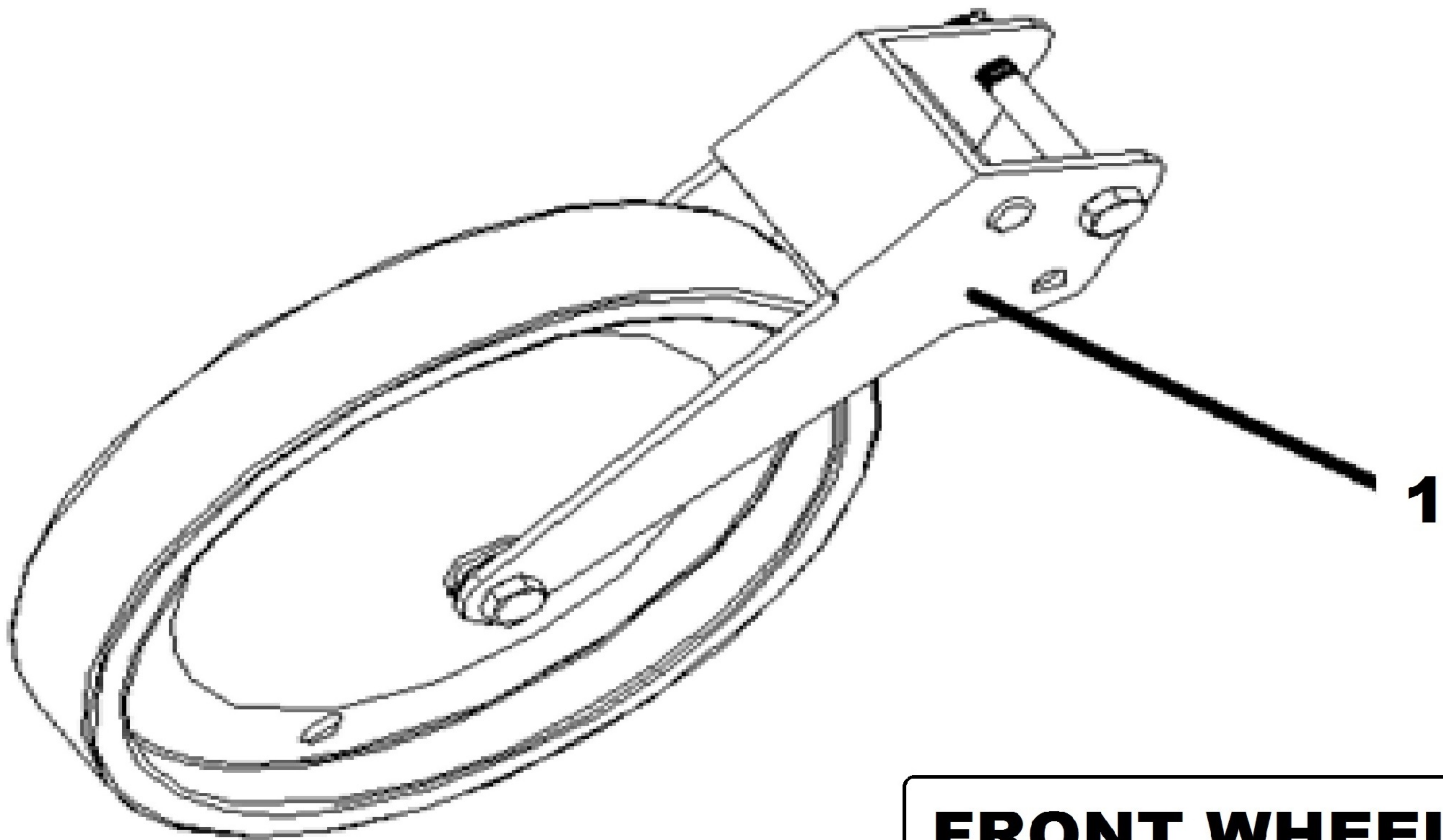
3

Muffler

1



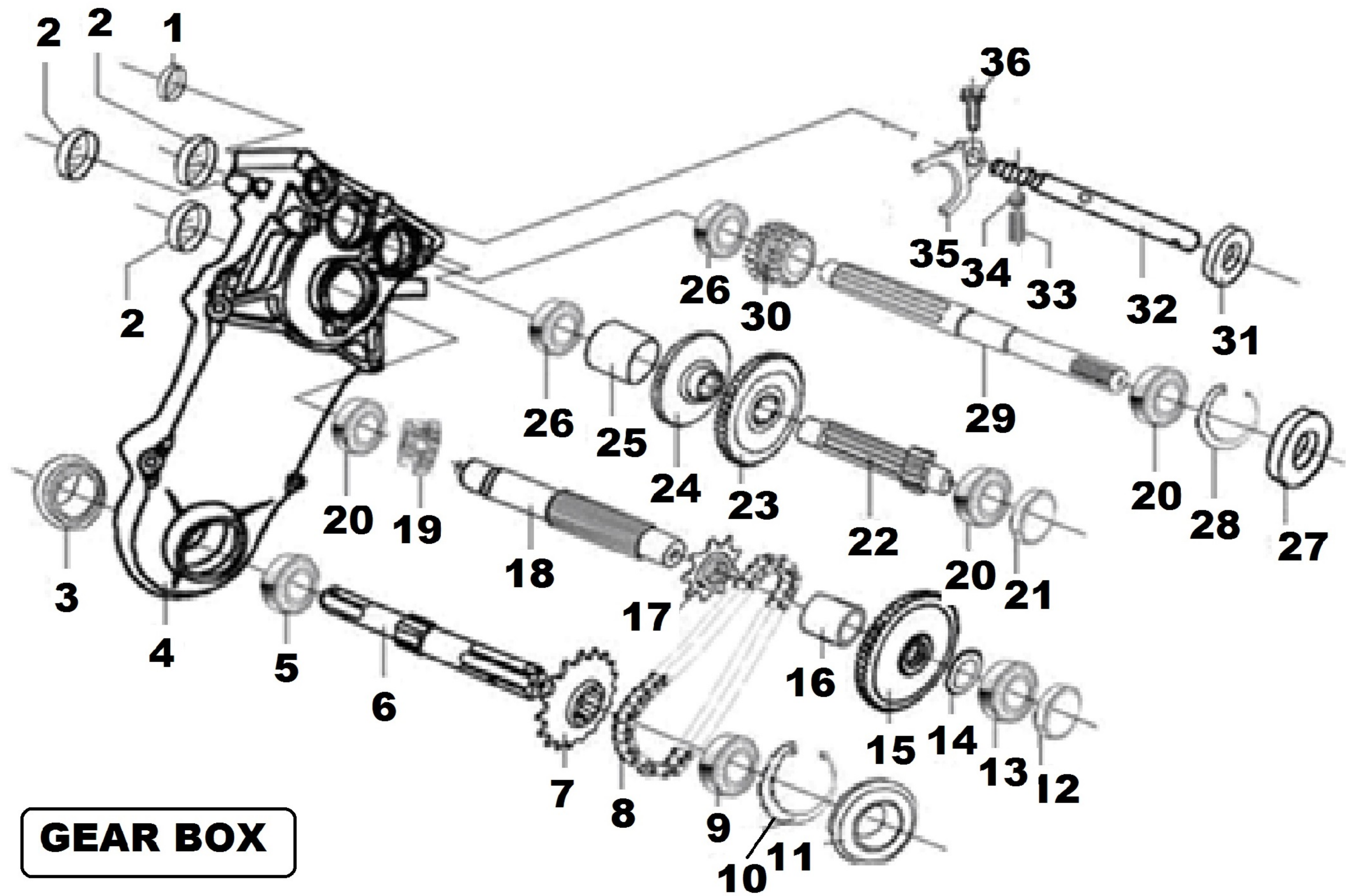
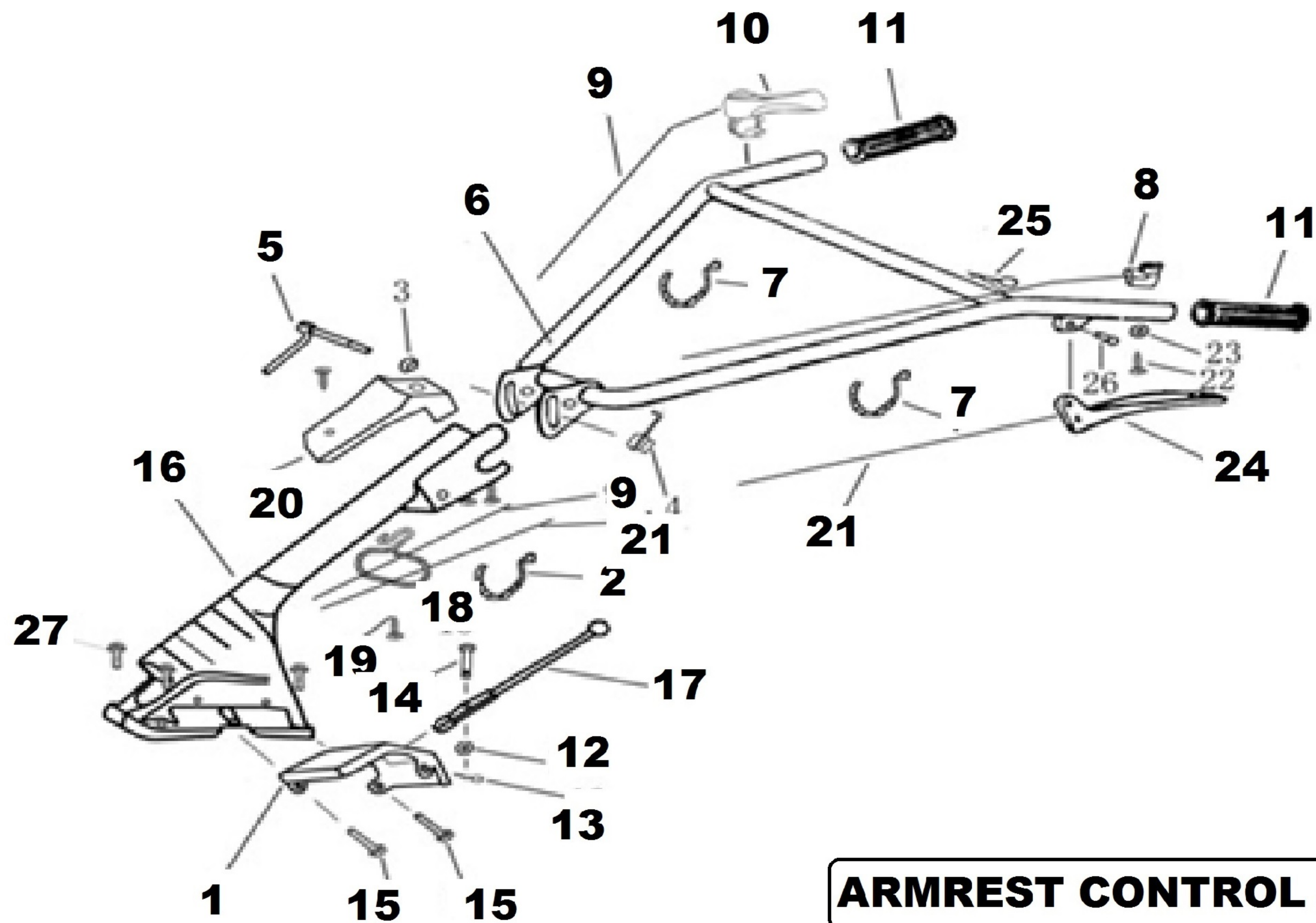
Fuel Tank Assy.



FRONT WHEEL

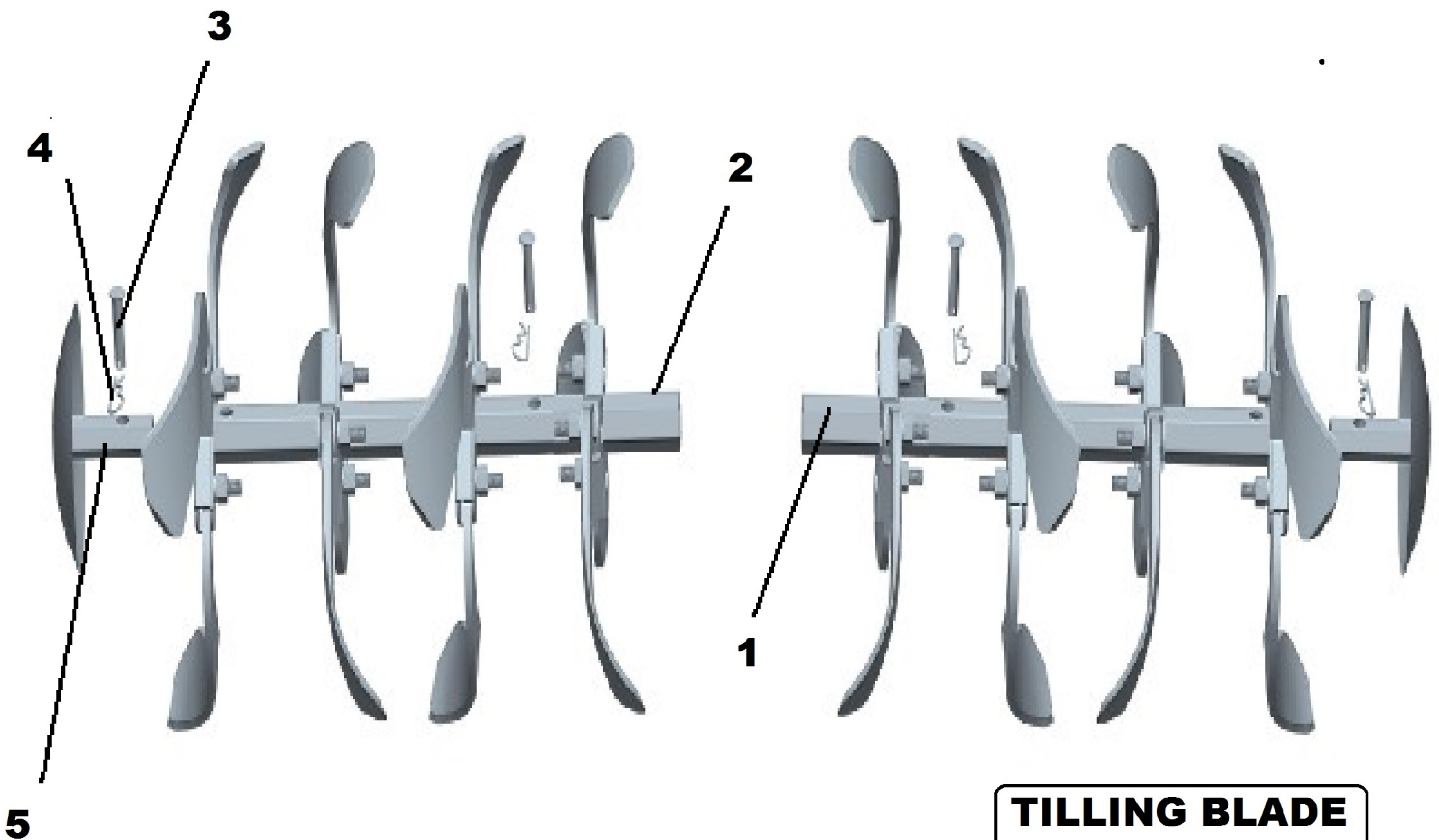
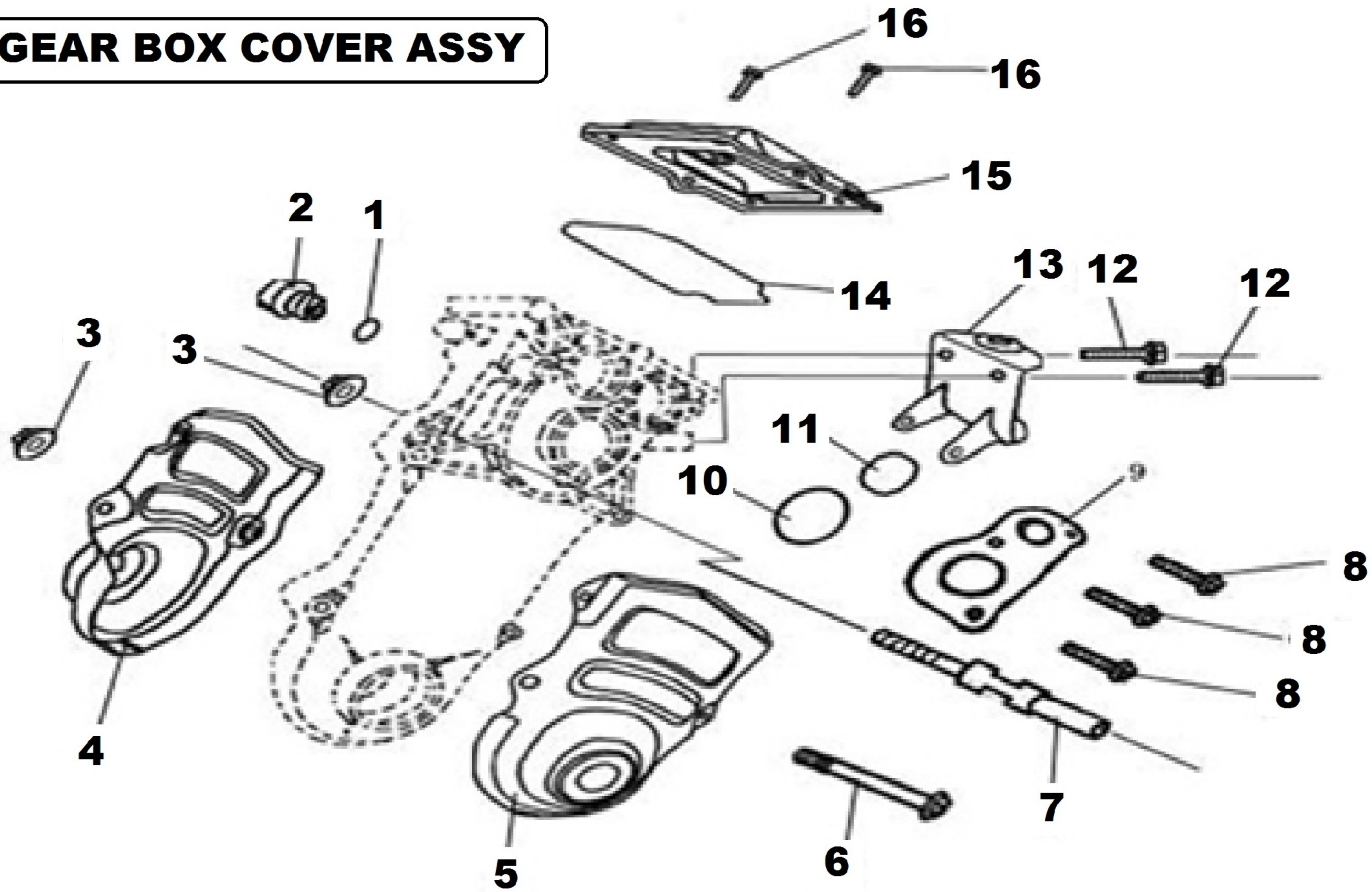


TENSION PULLEY

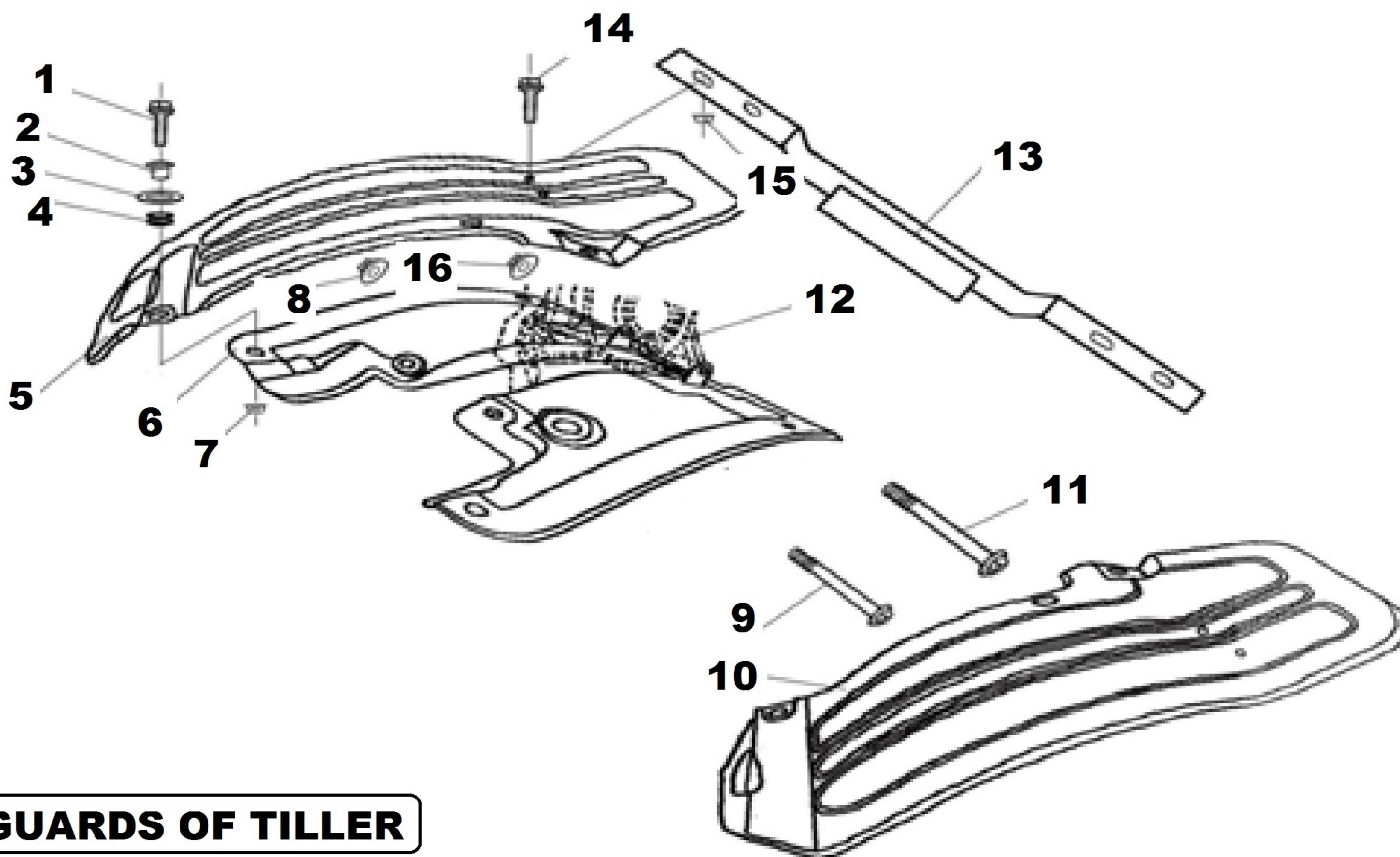




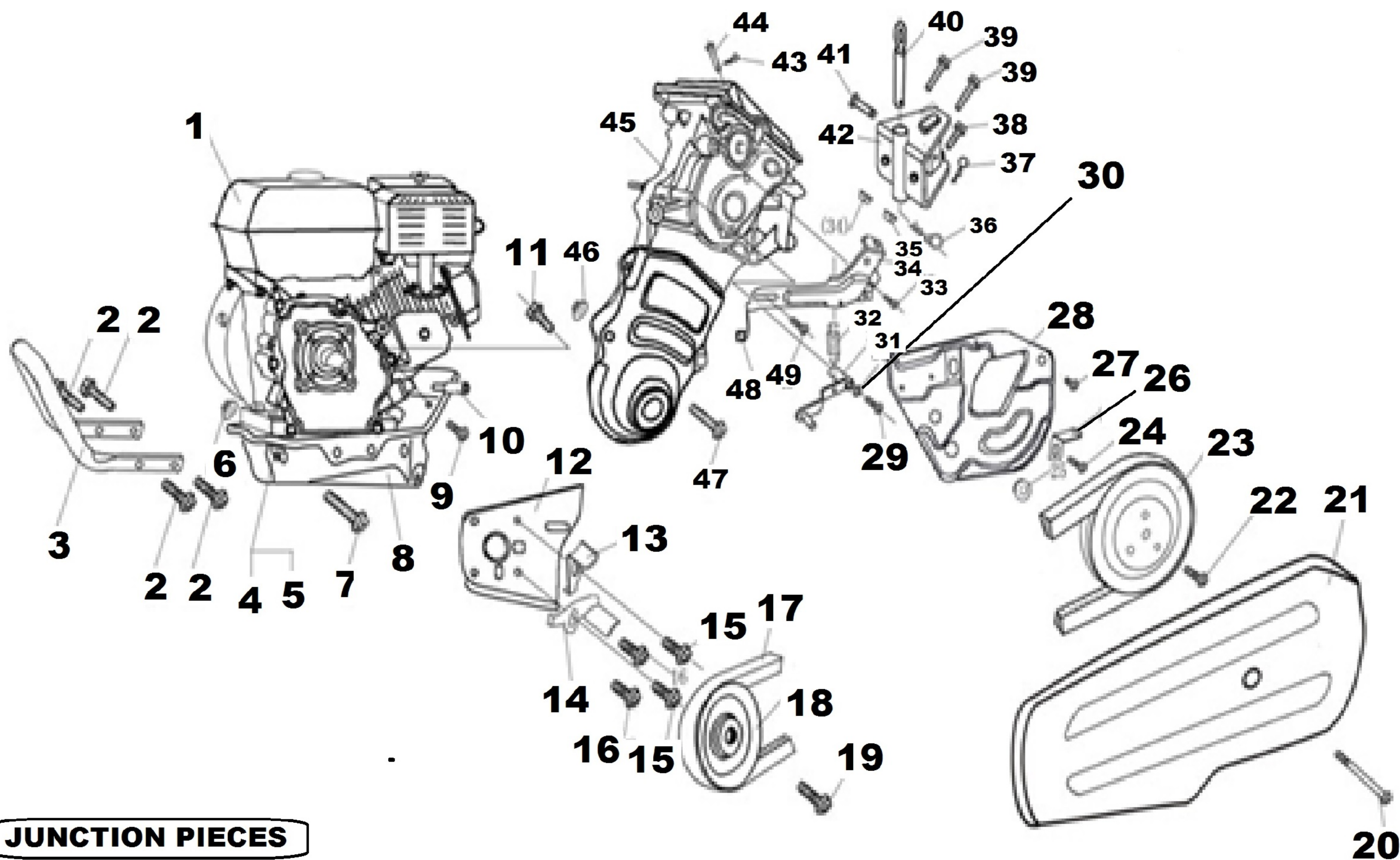
GEAR BOX COVER ASSY



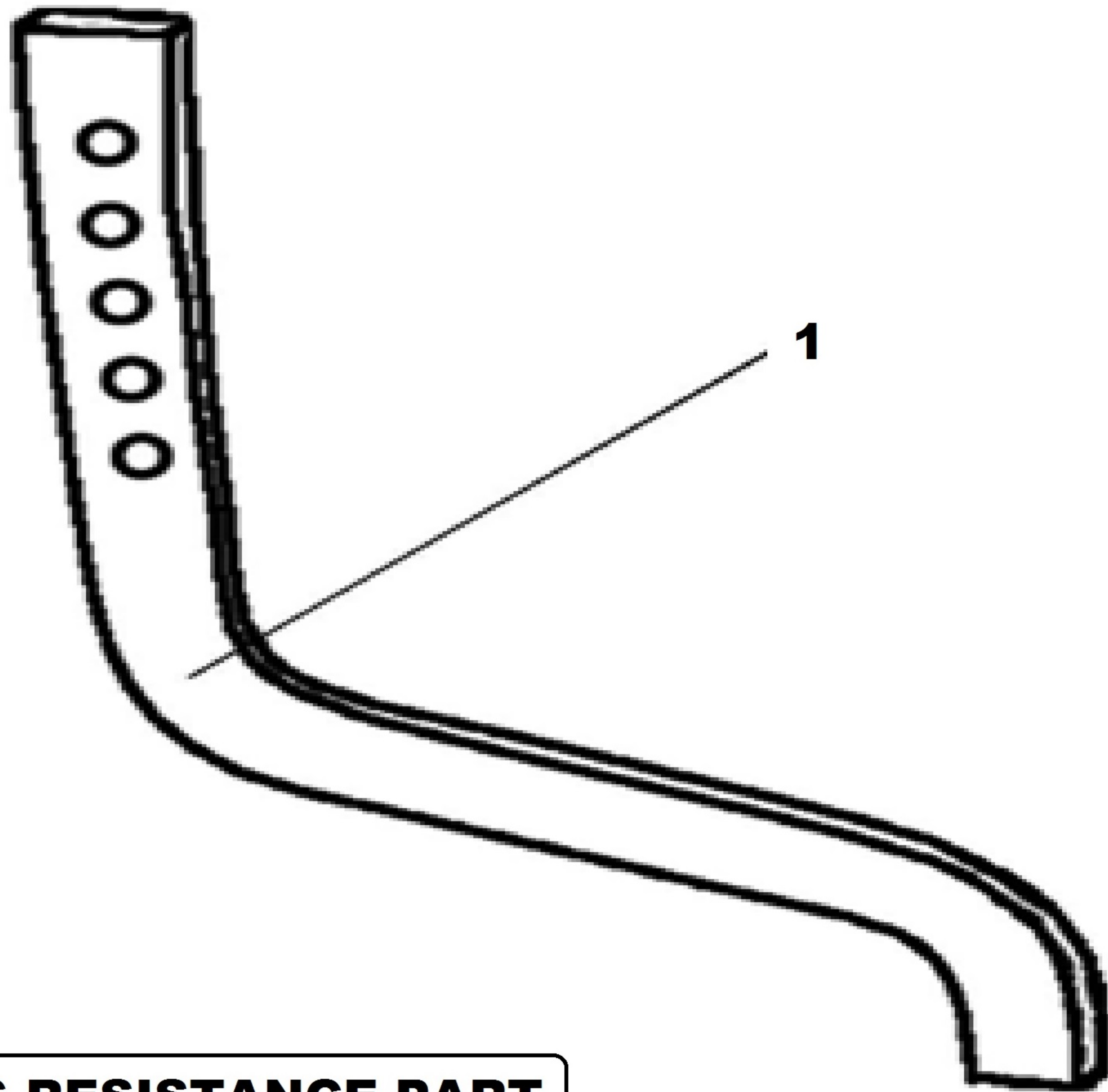
TILLING BLADE



GUARDS OF TILLER



JUNCTION PIECES



DEEP FURROWING RESISTANCE PART

Effective from 15th April 2019

Drawing No	Part Name.	Pack	MRP Per Unit	List Price Per Unit
ADINATH (ENGINE)				
Cylinder Head Assy.				
1	AN-E-2.63.01.00406-Locating PiN		-	-
2	AN-E-2.60.08.001000-Cylinder case gasket	2	93.00	74.00
3	AN-E-2.63.01.03476-Bolt M8*55	3	35.00	28.00
4	AN-E-2.63.01.03115-Exhaust Stud	3	36.00	29.00
5	AN-E-2.60.03.000100-Exhaust hole paper gasket	3	28.00	22.00
6	AN-E-2.60.09.000900-Cylinder head gasket	2	79.00	63.00
7	AN-E-2.63.01.00180-Bolt M6*16	5	11.00	9.00
8	AN-E-2.53.06.000200-Spark plug	1	159.00	127.00
9	AN-E-2.63.01.02527-Air intake stud M6*147	3	138.00	110.00
10	AN-E-2.50.01.003500-Cylinder head	1	254.00	203.00
11	AN-E-2.50.02.003400-Cylinder Cover	1	1,349.00	1,079.00
Crank Case Assy.				
1	AN-E-2.51.01.002300-Crankcase	1	2,663.00	2,130.00
2	AN-E-2.63.01.01754-Drain bolt M10*15*1.25	5	30.00	24.00
3	AN-E-2.63.01.00497-Aluminium washer	5	9.00	7.00
4	AN-E-2.51.17.000100-Oil seal	3	120.00	96.00
5	AN-E-2.63.02.006000-Deep groove ball bearing	1	265.00	212.00
6	AN-E-2.63.01.00387-Cotter pin	5	11.00	9.00
7	AN-E-2.63.01.00370-Iron washer	5	8.00	6.00
8	AN-E-2.51.03.000100-Governer arm	1	106.00	85.00
9	AN-E-2.51.02.000100-Governer gear	1	178.00	142.00
10	AN-E-2.63.01.00404-Locating Pin /8*14	5	14.00	11.00
CRANK CASE COVER				
1	AN-E-2.51.05.000800-Crankcase cover	1	916.00	733.00
2	AN-E-2.51.17.000100-Oil seal	2	118.00	94.00
3	AN-E-2.63.02.006000-Deep groove ball bearing	1	261.00	209.00
4	AN-E-2.60.01.004600-Crankcase gasket	2	154.00	123.00
5	AN-E-2.51.06.000500-Oil dipstick	1	124.00	99.00
6	AN-E-2.51.07.000200-Oil plug	2	65.00	52.00
7	AN-E-2.63.01.02743-Bolt M8*32	3	28.00	22.00
Crank Shaft, Connecting Rod & Piston Assy.				
1	AN-E-2.51.15.045200-Crank shaft	1	1,595.00	1,276.00
2	AN-E-2.51.11.000900-Piston ring set	1	665.00	532.00
3	AN-E-2.51.08.001100-Piston	1	509.00	407.00
4	AN-E-2.51.10.000100-Piston pin clip	5	168.00	134.00
5	AN-E-2.51.09.000100-Piston pin	1	168.00	134.00
6	AN-E-2.51.12.004100-Connecting Rod	1	428.00	342.00
7	AN-E-2.63.01.00023-Flat washer		-	-
8	AN-E-/-/		-	-
Camshaft				

Effective from 15th April 2019

Drawing No	Part Name.	Pack	MRP Per Unit	List Price Per Unit
1	AN-E-2.51.16.000300-Cam shaft	1	744.00	595.00
2	AN-E-2.50.05.000100-Rocking arm assy	1	124.00	99.00
3	AN-E-2.50.06.000100-Limited plate	2	80.00	64.00
4	AN-E-2.50.07.000100-Pushing Rod	2	106.00	85.00
5	AN-E-2.50.08.000200-Tappet/34.7mm	1	145.00	116.00
6	AN-E-2.50.03.000900-Intake valve	1	198.00	158.00
7	AN-E-2.50.04.000800-outtake valve	1	208.00	166.00
8	AN-E-2.50.10.000100-Oil cover	2	113.00	90.00
9	AN-E-2.50.09.000100-Valve spring	2	49.00	39.00
10	AN-E-2.50.09.000300-Exhaust spring seat	2	101.00	81.00
11	AN-E-2.50.09.001300-Valve adjusting cap	2	65.00	52.00
12	AN-E-2.50.09.000300-Intake valve spring seat	2	46.00	37.00
Recoil Starter Assy.				
1	AN-E-2.52.01.109300-Recoil starter	1	930.00	744.00
2	AN-E-2.53.05.000100-Engine switching	1	80.00	64.00
3	AN-E-2.63.01.01756-Bolt M6*12	5	11.00	9.00
4	AN-E-2.60.10.000800-Red paper washer	5	3.00	2.00
Side Plate				
1	AN-E-2.52.07.004400-PLATE SIDE	1	96.00	77.00
2	AN-E-2.62.01.000100-WIRE CLIP	3	9.00	7.00
3	AN-E-2.52.06.003400-Air deflector	1	154.00	123.00
4	AN-E-2.63.01.01756-BOLT M6*12		-	-
5	AN-E-2.63.01.01750-BOLT / GE5787-M6*20		-	-
Carburetor				
1	AN-E-2.60.05.000100-PAPER WASHER,AIR CLEANER	5	8.00	6.00
2	AN-E-2.55.01.027300-CARBURETOR	1	1,275.00	1,020.00
3	AN-E-2.60.04.000100-PAPER WASHER, CARBURETOR	5	8.00	6.00
4	AN-E-2.55.02.000100-INSULATOR CARBURETOR	1	134.00	107.00
5	AN-E-2.60.02.000100-PAPER WASHER,AIR INTAKE	5	8.00	6.00
Fly Wheel & Ignition Coil				
1	AN-E-2.63.01.00299-Bolt M14*1.5	3	11.00	9.00
2	AN-E-2.52.03.002500-FULLEY STARTER	1	150.00	120.00
3	AN-E-2.52.04.000200-FAN COOLING / BLACK PP	1	94.00	75.00
4	AN-E-2.53.01.000100-FLYWHEEL COMP	1	999.00	799.00
5	AN-E-2.53.02.000300-COIL ASSY IGNITION	1	643.00	514.00
6	AN-E-2.63.01.00914-BOLT / GB5787-M6*25	5	5.00	4.00
Governer Assy.				
1	AN-E-2.54.01.009900-CONTROL ASSY	1	350.00	280.00
2	AN-E-2.54.02.003400-SPRING GOVERNOR	2	28.00	22.00
3	AN-E-2.63.01.03731-NUT FLANGE M6*21	3	39.00	31.00
4	AN-E-2.63.01.00291-NUT / GB6177-M6	5	5.00	4.00
5	AN-E-2.54.04.002000-ARM GOVERNOR	1	148.00	118.00

Effective from 15th April 2019

Drawing No	Part Name.	Pack	MRP Per Unit	List Price Per Unit
6	AN-E-2.63.01.01756-BOLT / GB5787-M6*12	5	11.00	9.00
7	AN-E-2.54.02.000200-SPRING THROTTLE RETURN	3	28.00	22.00
8	AN-E-2.54.03.002400-ROD GOVERNOR	3	35.00	28.00
Air Filter Assy.				
1	AN-E-2.50.11.015500-Air filter	1	1,201.00	961.00
2	AN-E-2.63.01.00291-Bolt		5.00	4.00
Muffler				
1	AN-E-2.50.12.001500-MUFFLER	1	1,026.00	821.00
2	AN-E-2.63.01.01705-ELASTIC RING / GB93-φ8	5	3.00	2.00
3	AN-E-2.63.01.00287-NUT / GB6170-M8		-	-
Fuel Tank Assy.				
1	AN-E-2.55.05.008300-FUEL TANK COMP	1	994.00	795.00
6	AN-E-2.63.01.03497-NUT / GB6177-M6		-	-
7	AN-E-2.63.01.00193-BOLT / GB5787-M6*28		-	-
8	AN-E-2.55.06.004600-TUBE FUEL	2	53.00	42.00
9	AN-E-2.55.07.003200-CLIP TUBE	5	8.00	6.00
ADINATH (WEEDER)				
FRONT WHEEL				
1	AN-W-2.04.03.007200-FRONT SUPPORT OF WHEEL	1	1,431.00	1,145.00
TENSION PULLEY				
1	AN-W-2.06.04.006200-STAND JOINTING COMP	1	865.00	692.00
ARMREST CONTROL ASSY				
1	AN-W-2.05.01.022200-Gear Position Indication Stand	1	320.00	256.00
2	AN-W-2.09.07.000100-BAND A	2	33.00	26.00
3	AN-W-2.03.05.004300-Locking handle for handle bar	2	340.00	272.00
4	AN-W-2.09.06.004200-Plastic sleeve	1	148.00	118.00
5	AN-W-2.66.02.000700-fastening sleeve for handle bar	1	126.00	101.00
6	AN-W-2.04.08.045200-HANDLE COMP		-	-
7	AN-W-2.09.07.000100-BAND B	3	9.00	7.00
8/22/23	AN-W-2.03.05.005900-Throttle switch	1	520.00	416.00
/	AN-W-2.08.02.016200-Throttle cable		-	-
9&10	AN-W-2.09.06.003600-GRIP	1	156.00	125.00
11	AN-W-/-GARTER SPRING A		-	-
/	AN-W-/-PIN 5×23		-	-
13	AN-W-/-BOLT M6×10		-	-
14	AN-W-2.04.09.028700-TANDING PIPE JOINTING	1	1,358.00	1,086.00
15	AN-W-2.03.01.010500-SHIFT LEVER	1	403.00	322.00
16	AN-W-/-LOOP		-	-
17	AN-W-/-SCREW M5×10		-	-
18	AN-W-/-INLET COVER		-	-
19	AN-W-2.08.02.019700-TENSIONER CABLE	1	258.00	206.00
20	AN-W-/-/		-	-

Effective from 15th April 2019

Drawing No	Part Name.	Pack	MRP Per Unit	List Price Per Unit
21	AN-W-/-/		-	-
/	AN-W-2.03.05.002500-TENSIONER HANDLE	1	613.00	490.00
/	AN-W-/-/		-	-
24	AN-W-/-PIN 8x27	5	19.00	15.00
/	AN-W-2.63.01.00203-1-BOLT M8x16		-	-
26	AN-W-2.06.01.001000-PIN 8x27		-	-
27	AN-W-2.63.01.00202-BOLT M8x16		-	-
GEAR BOX				
1	AN-W-2.09.02.000200-OIL PLUG B	2	39.00	31.00
2	AN-W-2.09.02.000100-OIL PLUG A	2	49.00	39.00
3	AN-W-2.51.17.003700-OIL PLUG B	1	239.00	191.00
4	AN-W-2.01.01.047600-GEAR BOX	1	3,178.00	2,542.00
5	AN-W-2.63.02.000800-BEARING 6005	1	241.00	193.00
6	AN-W-2.02.01.001800-DRIVEN SPROCKET SHAFT	1	673.00	538.00
7	AN-W-2.02.04.000300-DRIVERN SPOCKET	1	525.00	420.00
8	AN-W-2.02.03.004200-CHAIN	1	920.00	736.00
9	AN-W-2.63.02.006000-BEARING 6205	1	265.00	212.00
10	AN-W-2.07.03.000200-CHECK RING 52	2	74.00	59.00
11	AN-W-2.51.17.003600-OIL PLUG A	1	276.00	221.00
12	AN-W-2.07.01.002100-BUSH D	1	85.00	68.00
13	AN-W-2.63.02.001000-BEARING 6203	1	178.00	142.00
14	AN-W-2.07.06.000900-SR1Z-750/80B BAKUP PLATE	3	14.00	11.00
15	AN-W-2.02.02.001000-DRIVING GEAR	1	539.00	431.00
16	AN-W-2.07.01.013200-BUSH I	1	85.00	68.00
17	AN-W-2.02.04.000100-DRIVING SPROCKET	1	403.00	322.00
18	AN-W-2.02.01.001000-DRIVING SPROCKET SHAFT	1	470.00	376.00
19	AN-W-2.02.02.016600-IDLER	1	586.00	469.00
20	AN-W-2.63.02.000900-BEARING 6202	1	143.00	114.00
21	AN-W-2.07.01.002200-BUSH C	1	85.00	68.00
22	AN-W-2.02.01.000900-COUNTER SHAFT	1	470.00	376.00
23	AN-W-2.02.02.000600-THE 1ST DRIVEN GEAR	1	470.00	376.00
24	AN-W-2.02.02.016500-THE 2ST DRIVEN GEAR	1	438.00	350.00
25	AN-W-2.07.01.013900-BUSH F	1	85.00	68.00
26	AN-W-2.63.02.000700-BEARING 6002	1	138.00	110.00
27	AN-W-2.09.04.000200-OIL SEAL 16x35x7	2	80.00	64.00
28	AN-W-2.07.03.000100-CIRCLIP35.3	3	39.00	31.00
29	AN-W-2.66.02.000300-MAIN SHAFT	1	470.00	376.00
30	AN-W-2.02.02.003900-TWO-THROW GEAR	1	460.00	368.00
31	AN-W-2.09.04.000100-OIL SEAL 12x22x6	2	23.00	18.00
32	AN-W-2.02.06.007600-SHIFT FORK SHAFT	1	170.00	136.00
33	AN-W-2.07.04.000200-SPRING	5	203.00	162.00
34	AN-W-2.06.04.000100-STELL BALL SØ6.3	5	9.00	7.00

Effective from 15th April 2019

Drawing No	Part Name.	Pack	MRP Per Unit	List Price Per Unit
35	AN-W-2.02.05.002100-SHIFT FORK	1	364.00	291.00
36	AN-W-2.63.01.00180-BOLT M6×20		11.00	9.00
GEAR BOX COVER ASSY				
1	AN-W-/-/		-	-
2	AN-W-2.51.07.000300-OIL HOLE PLUG	2	65.00	52.00
3	AN-W-2.63.01.00287-NUT M8		-	-
4	AN-W-2.05.01.021200-GEAR BOX RIGHT COVER	1	559.00	447.00
5	AN-W-2.05.01.020701-GEAR BOX LETT COVER	1	559.00	447.00
6	AN-W-2.63.01.02017-BOLT M6×40	5	5.00	4.00
7	AN-W-2.06.04.001600-TAKE-UP TUMBLER BACKING ROL	1	194.00	155.00
8	AN-W-2.63.01.01756-BOLT M6×12		-	-
9	AN-W-2.06.02.005500-OIL STOPPTER		-	-
10	AN-W-2.09.01.000200-O- RING 43.5×2.6	3	51.00	41.00
11	AN-W-2.09.01.000100-O-RING 39X2.6	3	44.00	35.00
12	AN-W-2.63.01.00203-1-BOLT M8×20		19.00	15.00
13	AN-W-2.04.11.002500-HINGE COMP	1	1,111.00	889.00
14	AN-W-/-/		-	-
15	AN-W-/-/		-	-
16	AN-W-/-/		-	-
TILLING BLADE				
1	AN-W-2.12.01.052101-Main shaft tube for blades	1	801.00	641.00
2	AN-W-2.12.01.052102-Extra shaft tube for blades	1	750.00	600.00
3	AN-W-2.12.01.052103-ROTRAY BLADE (LEFT)	1	221.00	177.00
4	AN-W-2.12.01.052104- ROTRAY BLADE (RIGHT)	1	221.00	177.00
5	AN-W-2.12.01.052300-TRIMMING WHEEL/Side disc	1	741.00	593.00
GUARDS OF TILLER				
1	AN-W-2.63.01.00191-BOLT M6×16	5	9.00	7.00
2	AN-W-2.07.01.001700-BUSH J	5	33.00	26.00
4	AN-W-2.09.06.005900-RUBBER SLEEVER	3	153.00	122.00
5	AN-W-2.04.04.064100-RIGHT FENDER	1	1,004.00	803.00
6	AN-W-2.04.04.064200-INNER FENDER	1	990.00	792.00
7	AN-W-2.63.01.00291-NUT M6	5	5.00	4.00
8	AN-W-2.63.01.01886-NUT M8		-	-
9	AN-W-2.63.01.02085-BOLT M8×70	3	63.00	50.00
10	AN-W-2.04.04.064000-LEFT FENDER	1	1,004.00	803.00
11	AN-W-2.63.01.02089-BOLT M10×90	3	94.00	75.00
/	AN-W-/-/		-	-
13	AN-W-2.04.05.020200-CONNECTING PLATE	1	444.00	355.00
14	AN-W-2.63.01.00191-BOLT M6×12		-	-
15	AN-W-2.63.01.00291-Nut M6		5.00	4.00
16	AN-W-2.63.01.01777-NUT M10		-	-
JUNCTION PIECES				

Effective from 15th April 2019

Drawing No	Part Name.	Pack	MRP Per Unit	List Price Per Unit
1	AN-W-5.01.010.000820-GASOLINE ENGINE SR168F-2		-	-
2	AN-W-2.63.01.01808-BOLT M8×16		-	-
3	AN-W-2.04.02.000100-Bumper		-	-
4	AN-W-2.63.01.01795-NUT M8		-	-
5	AN-W-2.63.01.01570-BOLT M8×40		-	-
6	AN-W-/-/		-	-
/	AN-W-/-/		-	-
8	AN-W-2.04.01.019200-ENGINEBEARER		-	-
/	AN-W-/-/		-	-
10	AN-W-2.63.01.01808-TENSIONER BUFFER	5	8.00	6.00
/	AN-W-/-/		-	-
12	AN-W-2.05.01.009300-DRIVING PULLEY PLATER	1	296.00	237.00
13	AN-W-2.05.01.000600-V-BELT GUARD C	1	159.00	127.00
14	AN-W-2.05.01.000800-V-Belt GUARD B	1	159.00	127.00
15	AN-W-2.63.01.01808-BOLT M8×16		-	-
16	AN-W-2.63.01.01808-BOLT M8×20		-	-
17	AN-W-2.02.07.000200-V-BELT	1	741.00	593.00
18	AN-W-2.02.08.000400-DRIVING PULLEY	1	736.00	589.00
19	AN-W-2.63.01.03505-BOLT M8×20	5	8.00	6.00
20	AN-W-2.63.01.01756-BOLT M6×55	5	5.00	4.00
21	AN-W-2.04.06.013500-BELT PROTECTOR	1	898.00	718.00
22	AN-W-2.63.01.00203-1-BOLT M8×20		19.00	15.00
23	AN-W-2.66.01.023300-DRIVEN PULLEY COMP	1	1,035.00	828.00
24	AN-W-2.63.01.01756-BOLT M6×16		11.00	9.00
25	AN-W-/-/		-	-
26	AN-W-2.05.01.001000-V-BELT GUARD C	1	159.00	127.00
27	AN-W-2.63.01.01808-BOLT M6×8		-	-
28	AN-W-2.05.01.008000-PASSIVITY PULLEY PLATE		-	-
29	AN-W-2.63.01.01756-BOLT M6×12		-	-
30	AN-W-/-/		-	-
31	AN-W-2.06.04.006200-SUPPORT WELDING COMP	1	668.00	534.00
32	AN-W-2.07.04.008900-TENSIONER SPRING	1	51.00	41.00
33	AN-W-2.63.01.01808-BOLTM8×16		-	-
34	AN-W-2.05.02.000100-CONNECTING PLATE	1	378.00	302.00
35	AN-W-2.63.01.01795-NUTM8		-	-
36	AN-W-2.63.01.02477-GARTER SPRING C	3	76.00	61.00
37	AN-W-2.63.01.02385-GARTER SPRING B	3	49.00	39.00
38	AN-W-2.63.01.02317-BOLT M8×20		-	-
39	AN-W-2.63.01.01777-BOLT M8×30		-	-
40	AN-W-2.06.01.005100-PIN SPINDLE	1	276.00	221.00
41	AN-W-2.63.01.02502-PIN SPINDLE 8×30	1	71.00	57.00

Effective from 15th April 2019

Drawing No	Part Name.	Pack	MRP Per Unit	List Price Per Unit
42	AN-W-2.04.12.000600-RATORY BLADE CONNECTING SET	1	1,024.00	819.00
43	AN-W-2.63.01.02476-GARTER SPRING A	3	16.00	13.00
44	AN-W-2.63.01.02474-PIN SPINDLE 5×25	3	14.00	11.00
46	AN-W-2.63.01.01795-NUT M8		-	-
47	AN-W-2.63.01.02084-BOLT M8×55		-	-
48	AN-W-2.63.01.00203-1-BOLT M8×18		19.00	15.00
DEEP FURROWING RESISTANCE PART				
1	AN-W-2.04.13.005200-DEEP FURROWING RESISTANCE PART	1	861.00	689.00