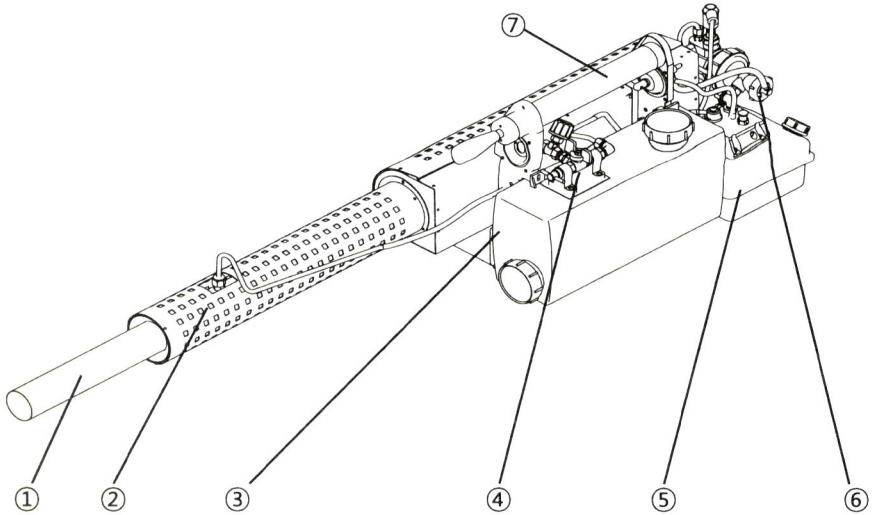


FOGGER XL 150

1. Description



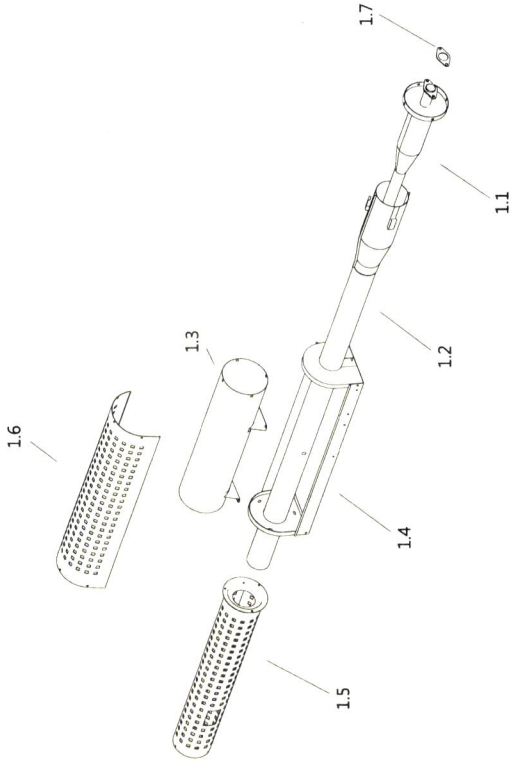
Pic.1

1	1 st air cooling tube	100102	5	Fuel tank	101001
2	Safety net	100108	6	Upper carburetor	100804
3	Chemical tank	100301	7	Pump cylinder	100402
4	Chemical valve	100205			

Parts assembly description

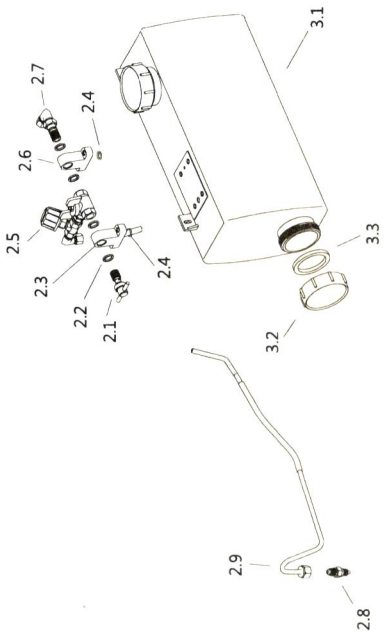
Fogging tube

1.1	Resonator	100101
1.2	1 st cooling tube	100102
1.3	2 nd cooling tube	100103
1.4	Adhesive plate	100104
1.5	Safety net	100108
1.6	Protection net	100109
1.7	Gasket	100110



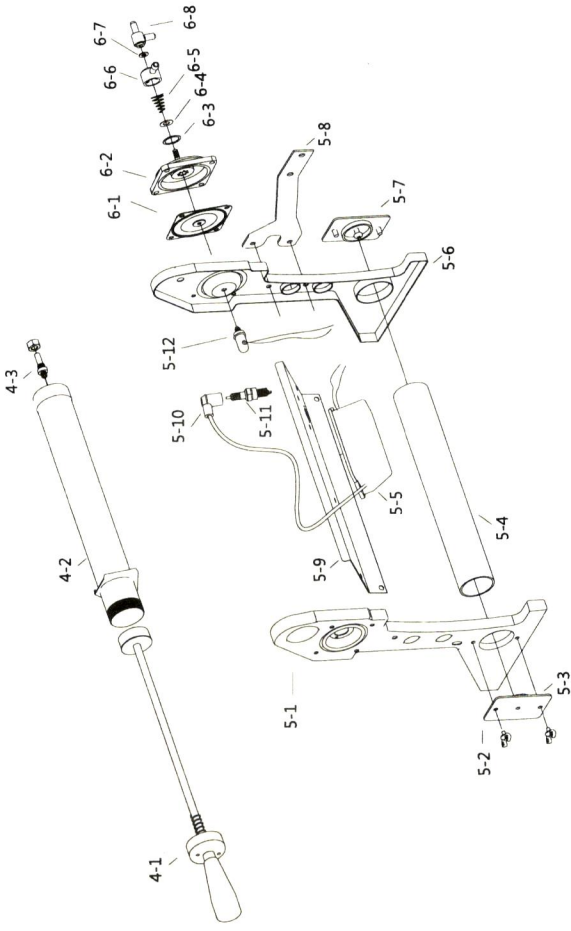
Chemical tank and Chemical pipes

2.1	Chemical filter	100201
2.2	O ring	200201
2.3	Chemical inhale body	100203
2.4	O ring	100204
2.5	Chemical valve	100205
2.6	Air inhale body	100206
2.7	Elbow	100208
2.8	Chemical nozzle	100209
2.9	Chemical pipe	100210
3.1	Chemical tank	100301
3.2	Chemical tank cap	100302
3.3	O ring	100303

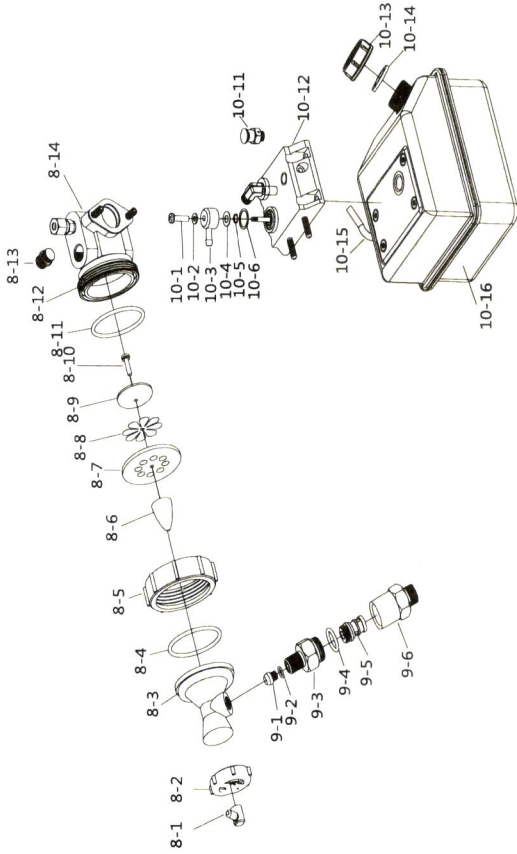


Start pump and Frames

4.1	Piston	100408		
4.2	Pump cylinder	100402		
4.3	Pump nipple	100401		
5.1	Body frame(F)	120510		
5.2	Battery bolt	120513		
5.3	Battery cover(F)	120511		
5.4	Battery housing	120515		
5.5	Ignition coil	100701		
5.6	Body frame(R)	120513		
5.7	Battery cover(R)	120512		
5.8	Bracket	100516		
5.9	Charging cover	100706		
5.10	Ignition plug cap	100702		
5.11	Ignition plug	100703		
5.12	Switch	100502		
6.1	Diaphragm	100601		
6.2	Room cover	120602		
6.3	O ring	101012		
6.4	Spring	101018		
6.5	Passing valve(6mm)	101017		
6.6	Valve cover(6mm)	101016	6.7	Gasket(6mm)
			101015	
			6.8	Hose nipple(6mm)
				101019



Engine and Fuel tank



8.1	Air nipple	100818			
8.2	Air nozzle	100819			
8.3	Upper carburetor	100804			
8.4	O ring	100805			
8.5	Engine nut	100803			
8.6	Air jet shaft	100806			
8.7	Petal valve plate	100807			
8.8	Petal valve	100808			
8.9	Petal valve bolster	100809			
8.10	Bolt	100811			
8.11	O ring	100805			
8.12	Lower carburetor	100812			
8.13	Back cap	100814			
8.14	Lower carburetor	100812			
9.1	Nozzle tip	100901			
9.2	O ring	100902	10.3	Valve cover(6mm)	101016
9.3	Nozzle case	100903	10.4	Passing valve(6mm)	101017
9.4	O ring	100904	10.5	Spring	101018
9.5	Filter	100905	10.6	O ring	101012
9.6	Filter case	100906	10.11	Stop button	101003
10.1	Nut(6mm)	101014	10.12	P regulating room	101002
10.2	Gasket(6mm)	101015	10.13	Fuel tank cover	101013
			10.14	Fuel tank packing	101007
			10.15	Fuel filter	101014
			10.16	Fuel tank	101001