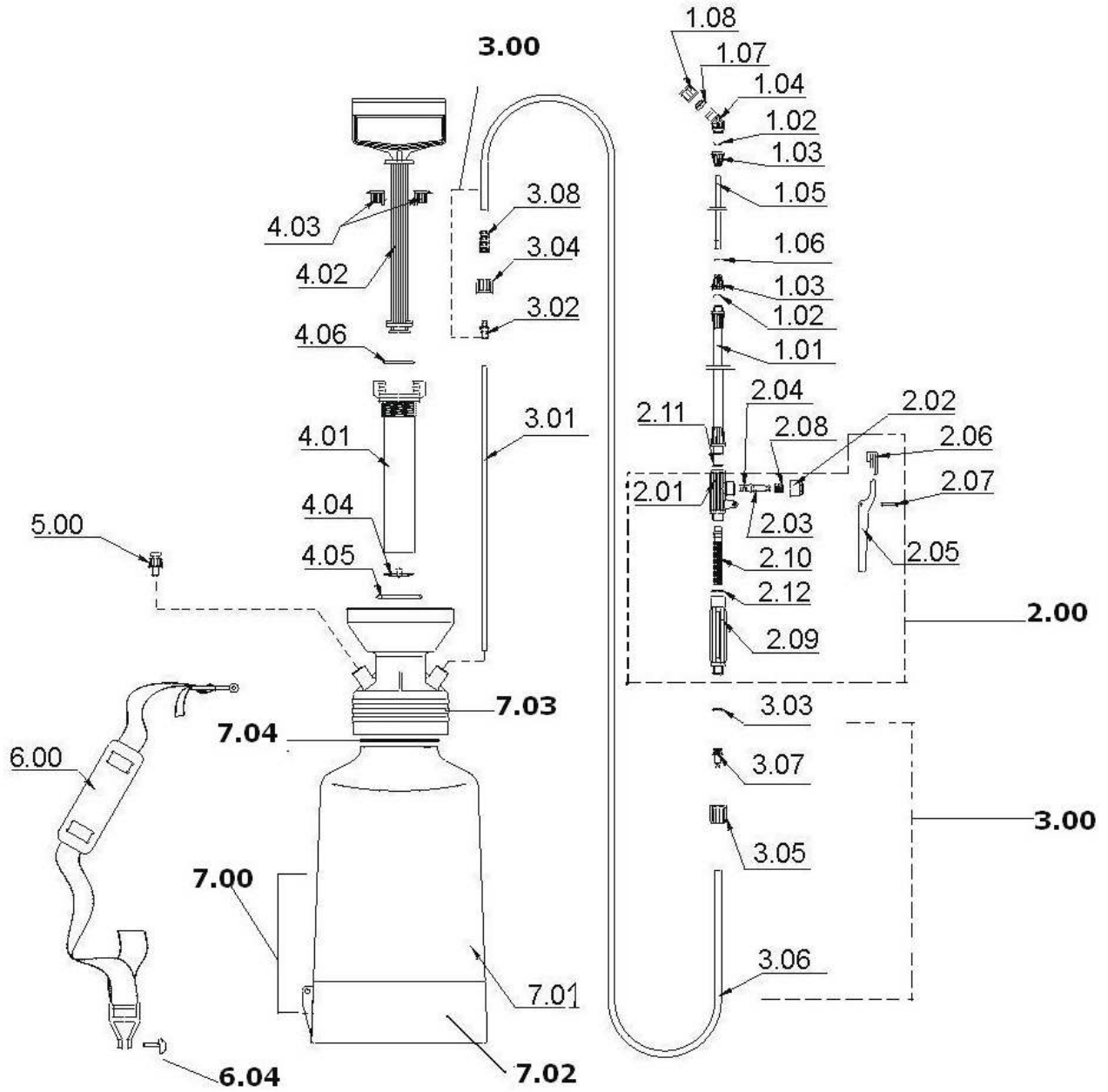


ORION

Sprayer.



ORION SPRAYER PART LIST

Dia No	Code	Part Description
1	SPAS-000100-1.00	1.00 Lance Set (Lance Set 1.00)
1.01	SPAS-000100-1.01	1.01 External Lance Tube (Lance Set 1.01)
1.02	SPAS-000100-1.02	1.02 NBR Trapezoidal Gasket (Lance Set 1.02)
1.03	SPAS-000100-1.03	1.03 Conical Nut (Lance Set 1.03)
1.04	SPAS-000100-1.04	1.04 Lance Angle Tip (Lance Set 1.04)
1.05	SPAS-000100-1.05Internal	1.05Internal Lance Tube (Lance Set 1.05)
1.06	SPAS-000100-1.06	1.06 Spring Ring (Lance Set 1.06)
1.07	SPAS-000100-1.07	1.07 Spray Nozzle (Lance Set 1.07)
1.08	SPAS-000100-1.08	1.08 Lance Tip Nut (Lance Set 1.08)
2	SPAS-000100-2.00	2.00 Handle & Piston Valve (Handle & Piston Valve 2.00)
2.01	SPAS-000100-2.01	2.01 Piston Valve Body (Handle & Piston Valve 2.01)
2.02	SPAS-000100-2.02N	2.02 N Pusher Slide Way (New) (Handle & Piston Valve 2.
2.02	SPAS-000100-2.02O	2.02 O Pusher Slide Way (Old) (Handle & Piston Valve 2.
2.03	SPAS-000100-2.03	2.03 Pusher with Piston (Handle & Piston Valve 2.03)
2.04	SPAS-000100-2.04	2.04 O Ring 6 x 2 Viton (Handle & Piston Valve 2.04)
2.05	SPAS-000100-2.05	2.05 Valve Rocker (Handle & Piston Valve 2.05)
2.06	SPAS-000100-2.06	2.06 Lever Blocking (Handle & Piston Valve 2.06)
2.07	SPAS-000100-2.07	2.07 Lever Pin (Handle & Piston Valve 2.07)
2.08	SPAS-000100-2.08	2.08 Valve Spring (Handle & Piston Valve 2.08)
2.09	SPAS-000100-2.09	2.09 Handle (Handle & Piston Valve 2.09)
2.1	SPAS-000100-2.10	2.10 Filter (Handle & Piston Valve 2.10)
2.11	SPAS-000100-2.11	2.11 O Ring 10.3 x 2.4 NBR (Handle & Piston Valve 2.11)
2.12	SPAS-000100-2.12	2.12 O Ring 16 x 2 NBR (Handle & Piston Valve 2.12)
3	SPAS-000100-3.00hose	3.00hose Set with Handle (Hose Set with Handle 3.00)
3.01	SPAS-000100-3.01	3.01 Suction Tube (Hose Set with Handle 3.01)
3.02	SPAS-000100-3.02	3.02 Liquid Outlet Connector (Hose Set with Handle 3.02)
3.03	SPAS-000100-3.03	3.03 O Ring 8.3 x2.4(Hose Set with Handle 3.03)
3.04	SPAS-000100-3.04	3.04 Hose Fixing M 16 x 1.5 Nut (Hose Set with Handle 3.
3.05	SPAS-000100-3.05	3.05 Handle Nut (Hose Set with Handle 3.05)
3.06	SPAS-000100-3.06	3.06 PVC Hose 5x2x1500 (Hose Set with Handle 3.06)
3.07	SPAS-000100-3.07	3.07 Lance Handle Tip (Hose Set with Handle 3.07)
3.08	SPAS-000100-3.08	3.08 Elastic (Hose Set with Handle 3.08)
4.01	SPAS-000100-4.01	4.01 Pump Body (Pump Set 4.01)
4.02	SPAS-000100-4.02	4.02 Piston Rod (Pump Set 4.02)
4.03	SPAS-000100-4.03	4.03 Pump Head (Pump Set 4.03)
4.04	SPAS-000100-4.04P	4.04P Valve Spring PVC (Pump Set 4.04)
4.04	SPAS-000100-4.04V	4.04V Valve Spring Viton (Pump Set 4.04V)
4.05	SPAS-000100-4.05	4.05 O Ring 4.6 x 4 NBR (Pump Set 4.05)
4.06	SPAS-000100-4.06New	4.06 O Ring 4.6 x 2 NBR (Pump Set 4.06N)
4.06	SPAS-000100-4.06Old	4.06 O Ring 4.6 x 2 Viton (Pump Set 4.06)
5	SPAS-000100-5.00Old	5.00 Osafety Valve Set Old (Safety Valve Set 5.00)
6	SPAS-000100-6.00	6.00 Belt Set (Belt Set 6.00)
6.04	SPAS-000100-6.04	6.04 Rivet (Belt Set 6.04)
7	SPAS-000100-7.00	7.0 Tank Set
7.01	SPAS-000100-7.01	7.01 Tank
7.02 old	SPAS-000100-7.02-3-6	7.02 Stabilising Base (3,6) (Tank Set 7.02)
7.02 new	SPAS-000100-7.02-9-12	7.02 Stabilising Base (9,12) (Tank Set 7.02 9,12)
7.03	SPAS-000100-7.03	7.03 Liquid Outlet Body (Tank Set 7.03)
7.04	SPAS-000100-7.04	7.04 O-ring (80 x 5 O-ring)