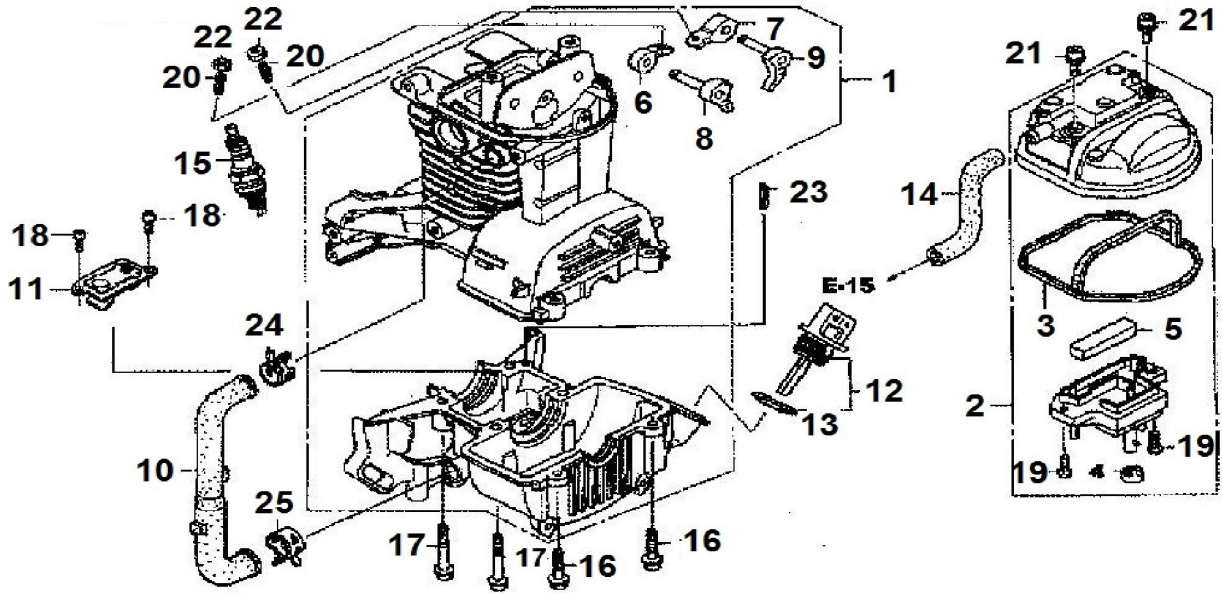




**Crank Case Set**



**Crank Shaft / Piston**

