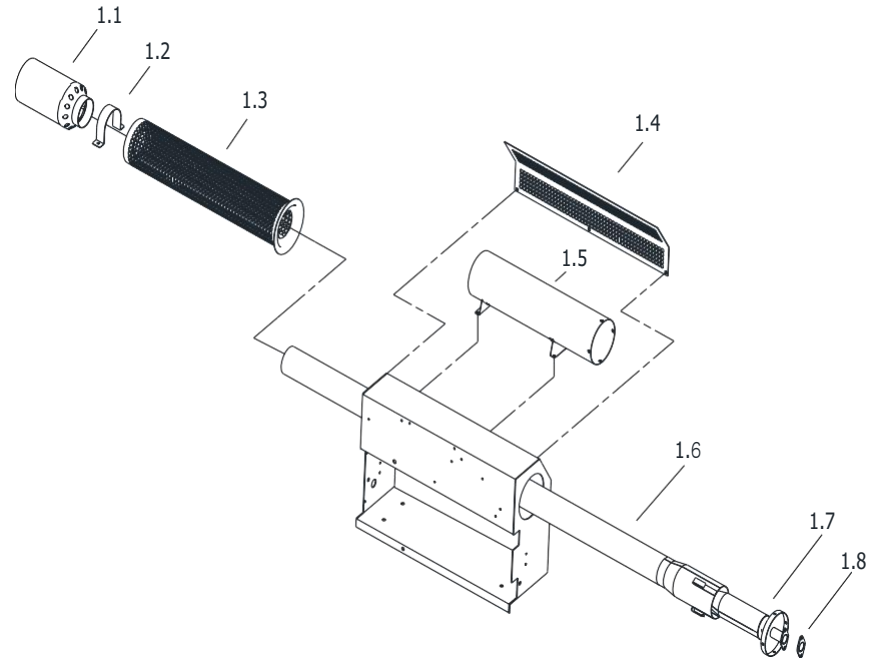


## PARTS DESCRIPTION

Unit: USD

### 1. Fogging tube



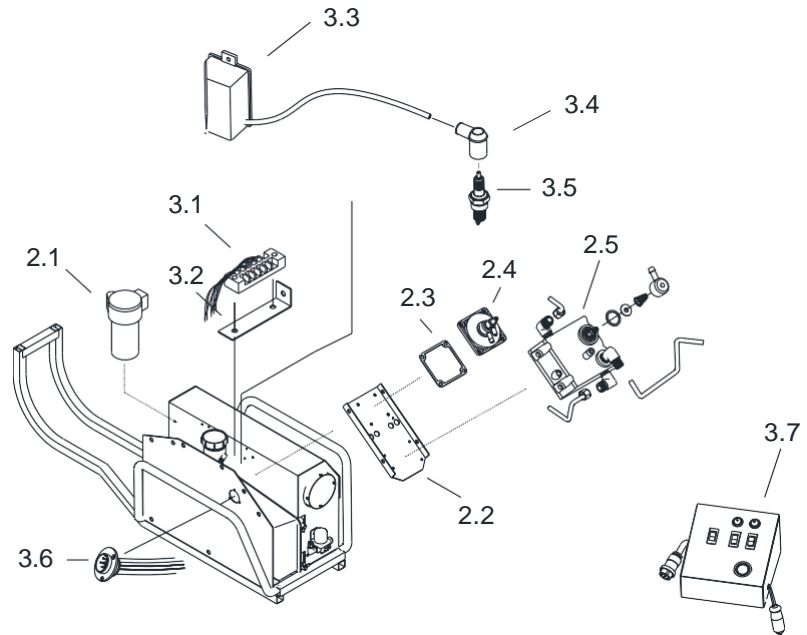
1.1	Fogging tube	400101
1.2	Net grip	400102
1.3	Safety net	400103
1.4	Protection net	400104
1.5	2 <sup>ND</sup> cooling tube	100103
1.6	1 <sup>st</sup> cooling tube	400105
1.7	Resonator (XL200FU)	400106
1.8	Gasket	100110

---

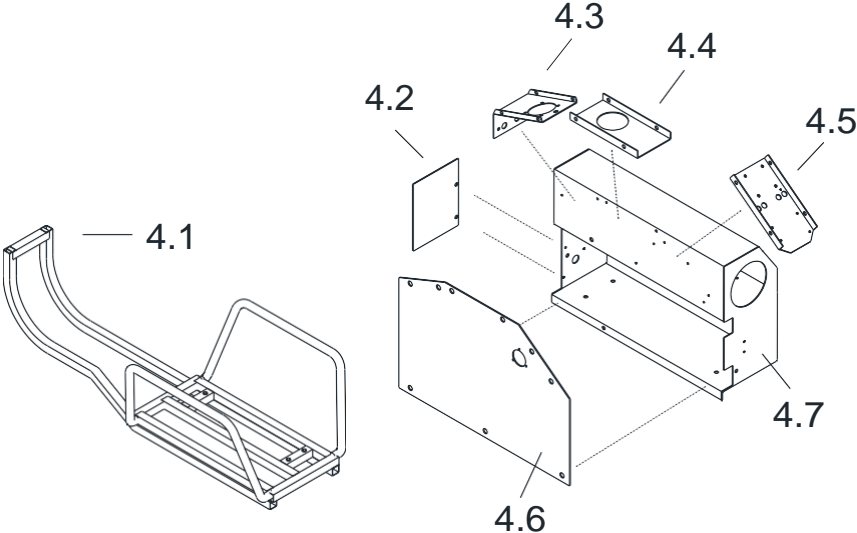
## 2. Starting parts

2.1	Start motor	100503
2.2	Pressure room plate	500201
2.3	Gasket	500202
2.4	Pressure room	500203
2.5	Pressure regulator	500204
3.1	Terminal board	500301
3.2	Board plate	500302
3.3	Ignition coil	100701
3.4	Ignition plug cap	100702
3.5	Ignition plug	100703
3.6	Terminal connector	500303
3.7	Control box	500304

---



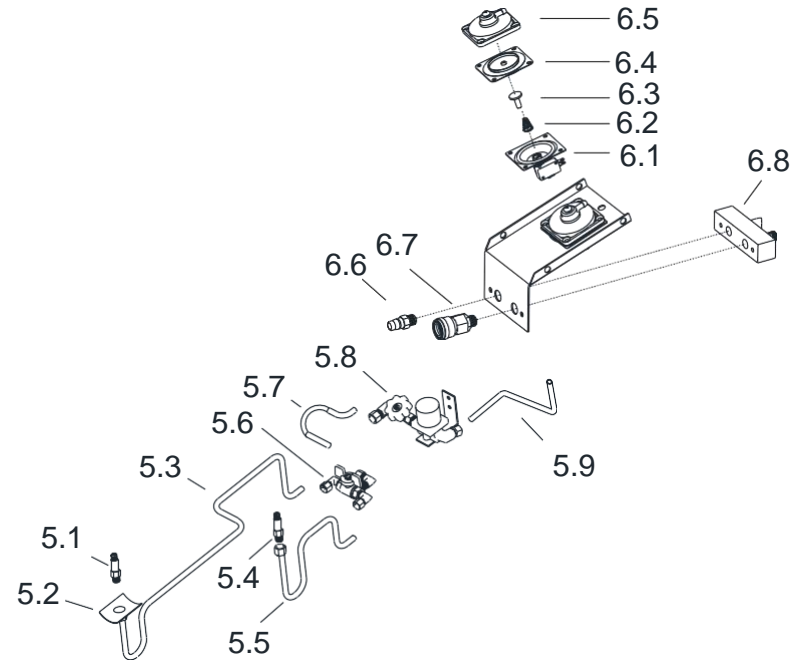
### 3. Body and Frame



4.1	Body frame	500401
4.2	Front cover	500402
4.3	Switch plate	500403
4.4	Upper cover	500404
4.5	Pressure room plate	500405
4.6	Side cover	500406
4.7	Main body	500407

## 4. Chemical flow

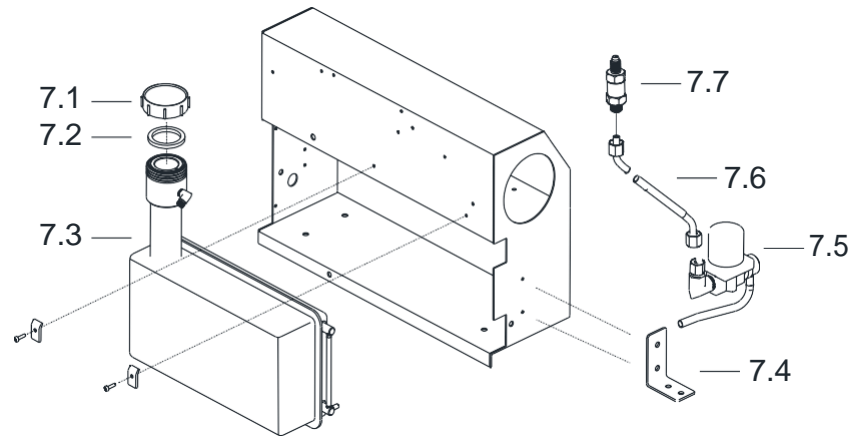
5.1	Water fogging nozzle	500501
5.2	Nozzle plate	500502
5.3	Water fogging pipe	500503
5.4	Oil fogging nozzle	500504
5.5	Oil fogging pipe	500505
5.6	Water fogging valve	500506
5.7	Connecting pipe	500507
5.8	Chemical sol valve(R)	500508
5.9	Valve pipe	500509
6.1	Pressure switch	500601
6.2	Spring	500602
6.3	Bolt	500603
6.4	Diaphragm	500604
6.5	Diaphragm cover	500605
6.6	Chemical coupling	500606
6.7	Air coupling	500607
6.8	Chemical connector	500608



## 5. Fuel parts

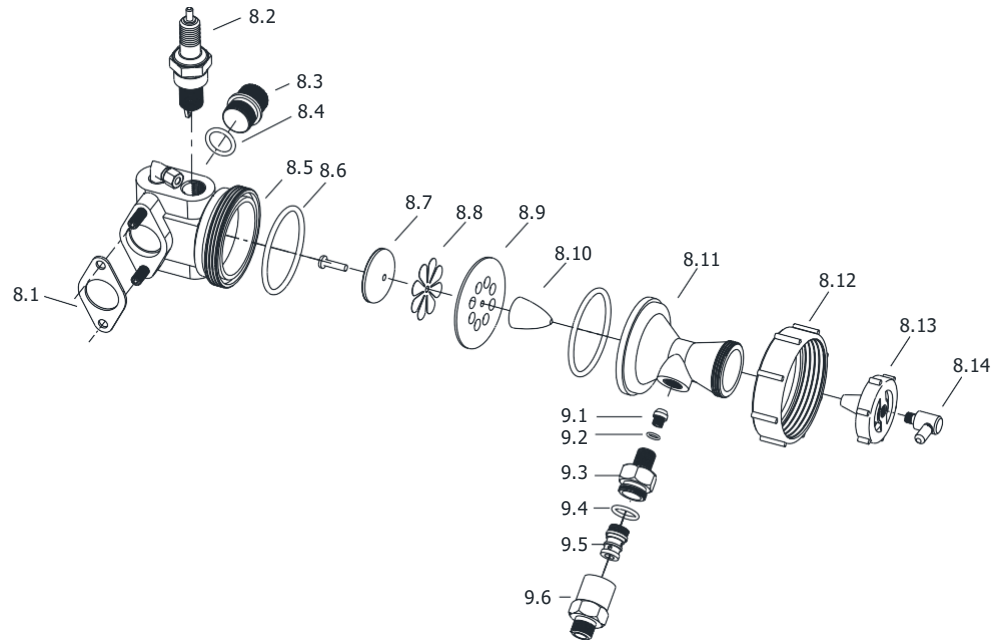
7.1	Fuel tank cap	500701
7.2	Fuel tank packing	500702
7.3	Fuel tank	500703
7.4	Valve plate	500704
7.5	Fuel sol valve	500705
7.6	Connecting pipe	500706
7.7	Fuel nozzle	501001

---



## 6. Engine

8.1	Gasket	100110
8.2	Ignition plug	100703
8.3	Engine back cap	100814
8.4	O ring	100815
8.5	Lower engine	100812
8.6	O ring	100805
8.7	Bolster	100809
8.8	Petal valve	100808
8.9	Valve plate	100807
8.10	Air jet shaft	100806
8.11	Upper engine	100804
8.12	Engine nut	100803
8.13	Air nozzle	100819
8.14	Air nipple	100818
9.1	Nozzle tip	100901
9.2	O ring	100902
9.3	Nozzle case	100903
9.4	O ring	100904
9.5	Filter	100905
9.6	Filter case	100906



## **7. Accessory**

10.1 Service kit bag